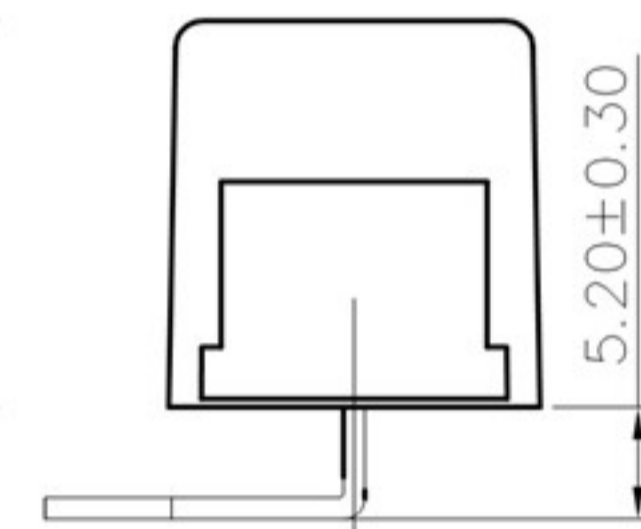
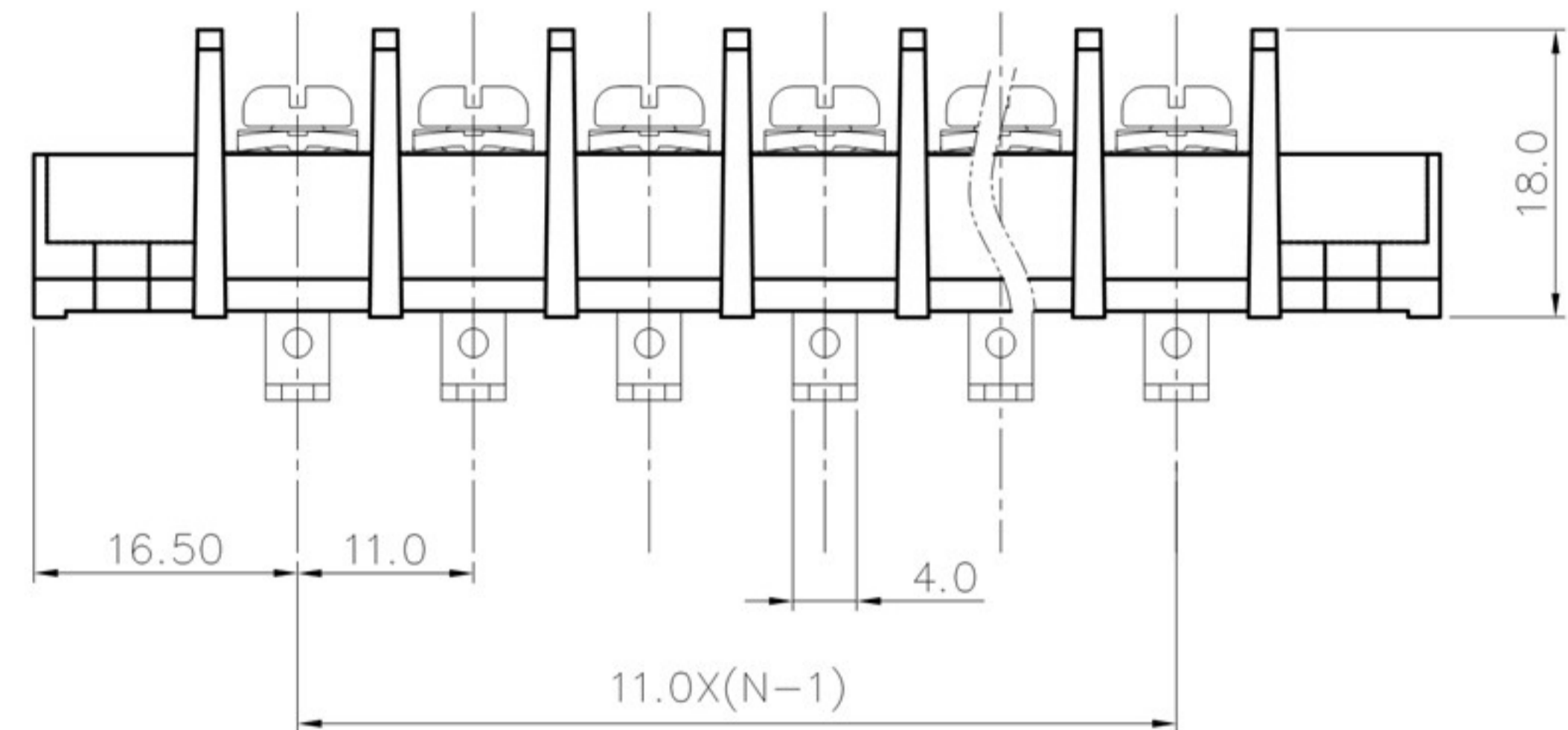
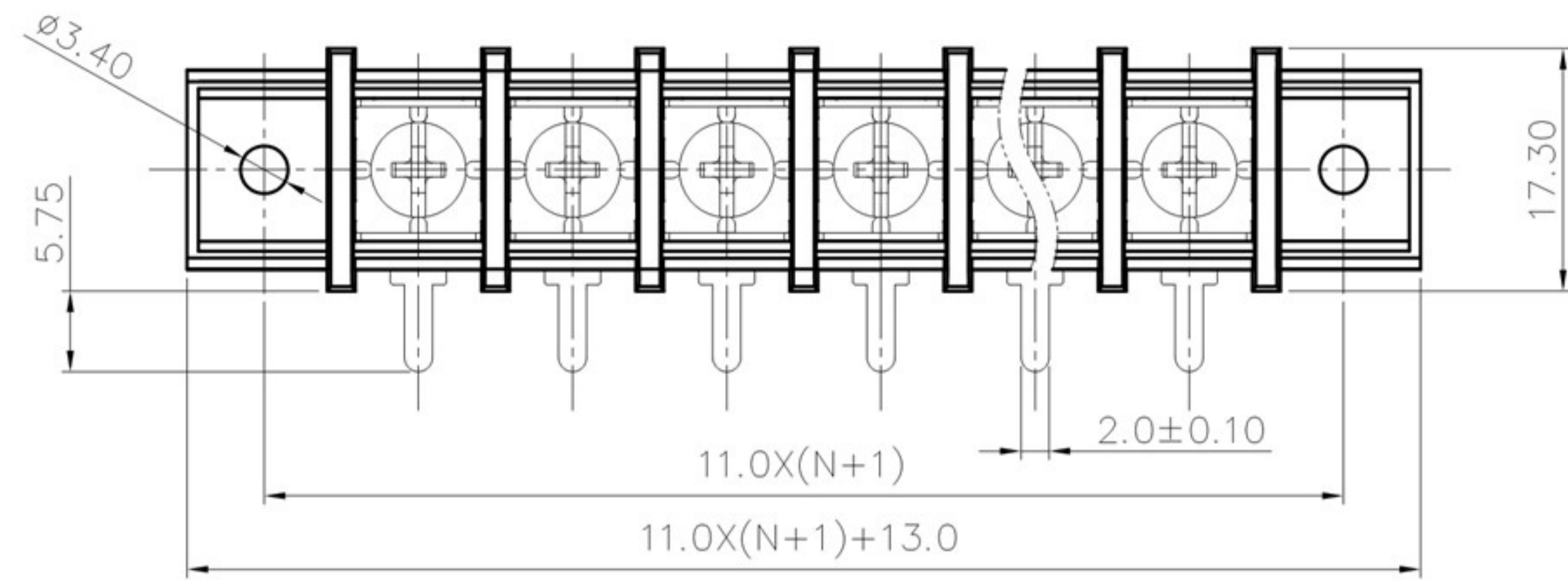


REVISION RECORD				
REV	ECN	DESCRIPTION	DRFT	DATE

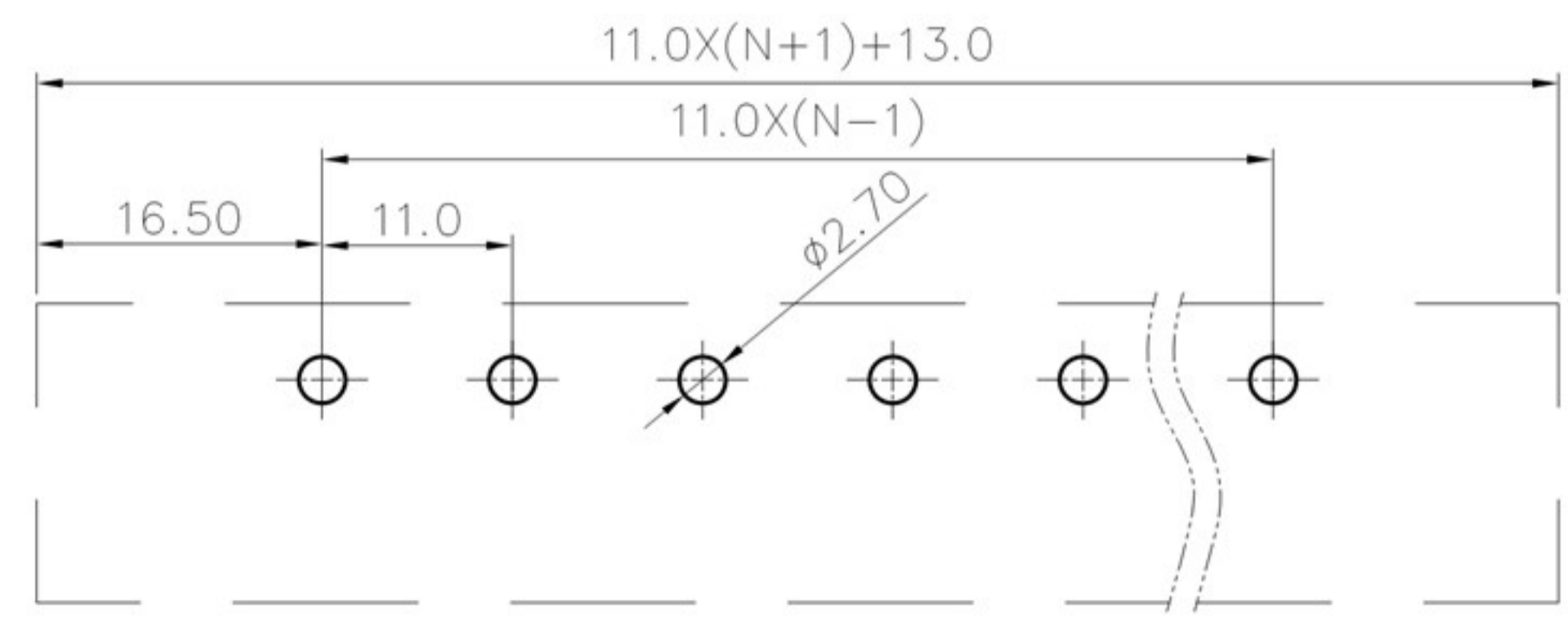


NOTES1:
 UL Standard
 1. Rated voltage/current : 300V / 30A
 2. Torque value : M4 , 10.53Lb.in
 3. Wire range : 22~12AWG

NOTES2:
 1. Dimension shall be interpreted per ASME Y14.5-2009
 2. Pitch : 11.0mm, Poles : N=02~20P
 3. Withstanding voltage : AC1600V/1Min
 4. Operating temperature: -40°C~+105°C
 5. Undimensioned tolerances:

Pitch range in mm		Nominal dimension range in mm						Tolerances	
TO	Over TO	TO	Over TO	TO	Over TO	TO	Over TO	0.1/10	
6	10	10	24	30	60	100	150	± 0.15	$\pm 2'$
								± 0.20	
								± 0.30	
								± 0.30	
								± 0.50	
								± 0.70	
								± 1.00	
								± 1.30	

6. RoHS Compliance



PCB LAYOUT

DETACHED LISTS	PART NO.:	慈溪市美感电子接插件厂 Cixi Meigan Electric Appliance Socket Factory			
	APPD:	NAME: MG65RM-11.0			
	CHKD:	TITLE: CUSTOMER DRAWING			
	DRFT:	DRAWING NO.:		REV	DO
	THIRD ANGLE PROJECTION		MM (INCH)	DO NOT SCALE DRAWING	SHEET 1/1
		SCALE	1:1		