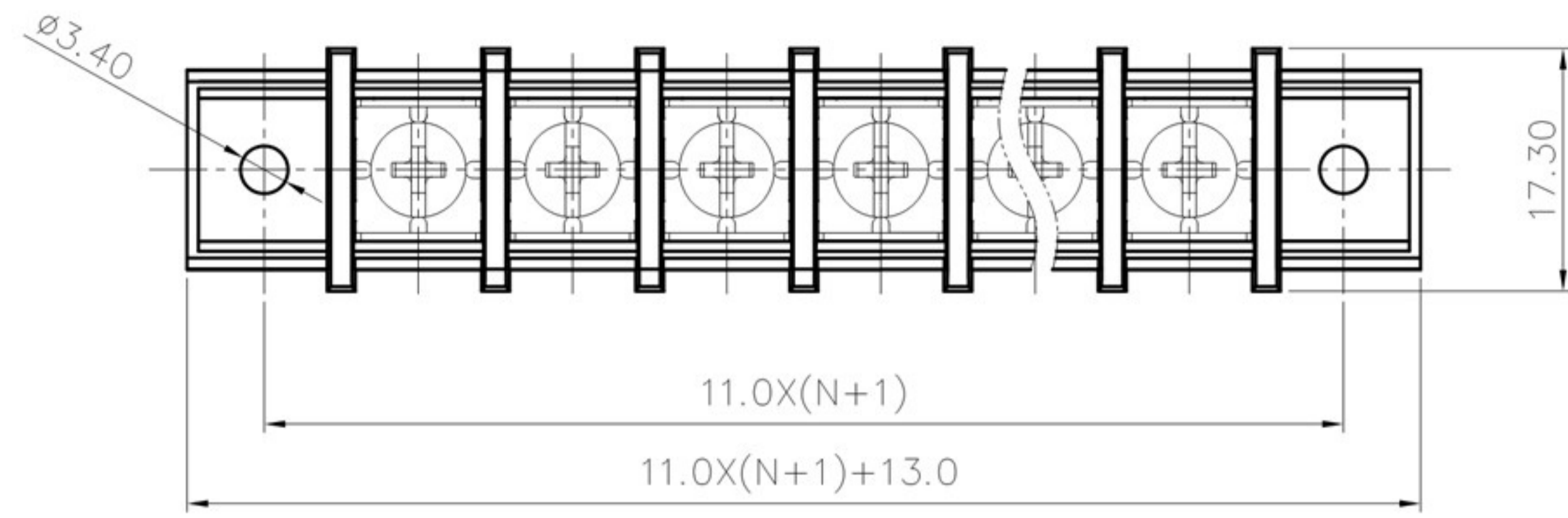


REVISION RECORD				
REV	ECN	DESCRIPTION	DRFT	DATE

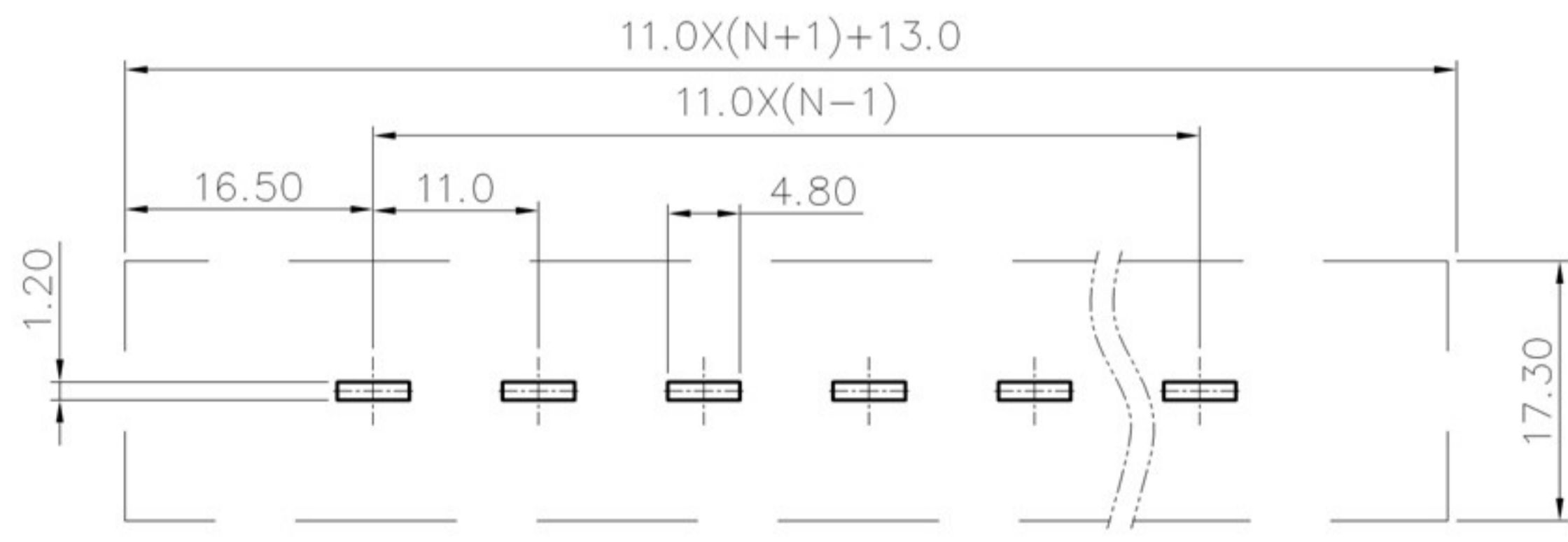
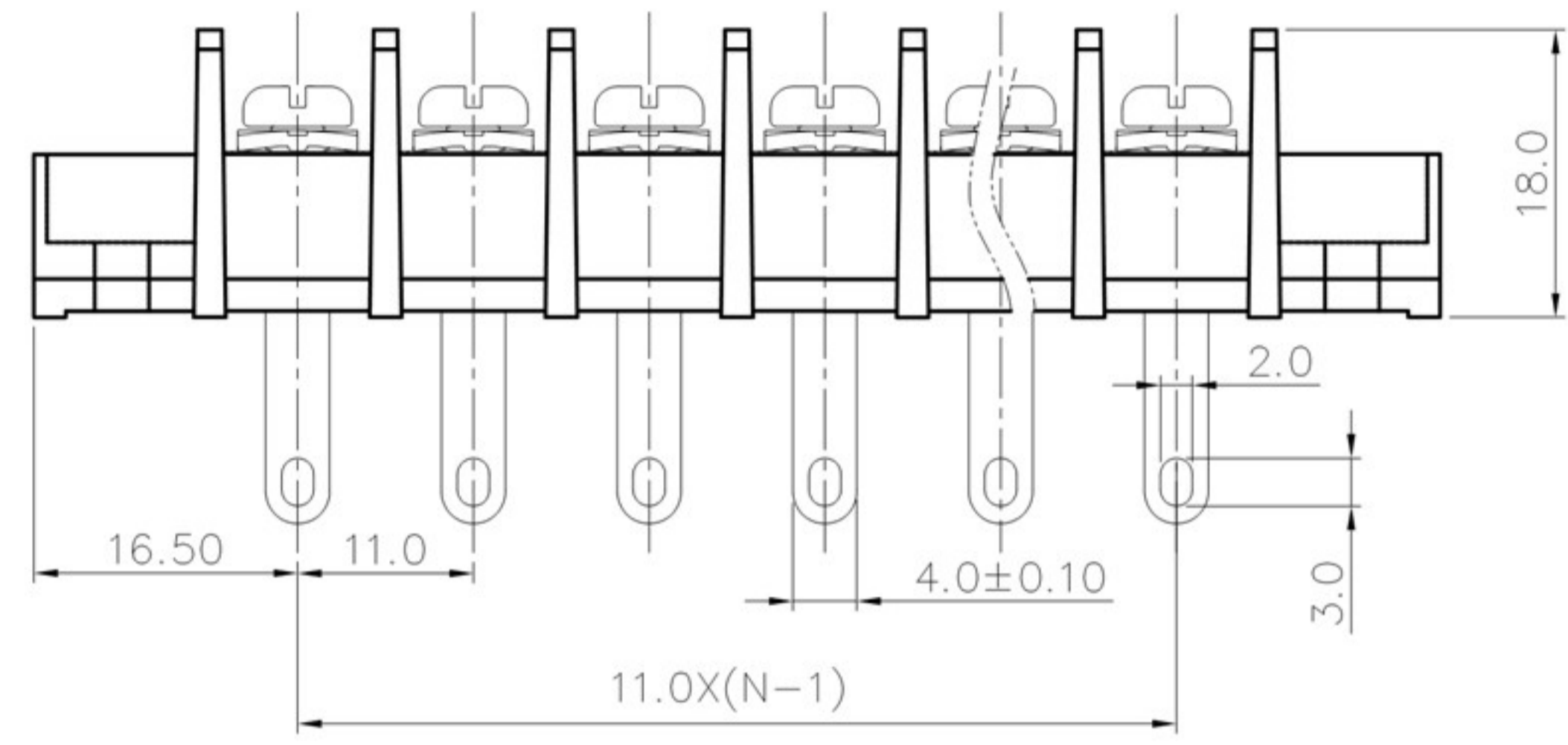


NOTES1:
 UL Standard
 1. Rated voltage/current : 300V / 30A
 2. Torque value : M4 , 10.53Lb.in
 3. Wire range : 22~12AWG

NOTES2:
 1. Dimension shall be interpreted per ASME Y14.5-2009
 2. Pitch : 11.0mm, Poles : N=02~20P
 3. Withstanding voltage : AC1600V/1Min
 4. Operating temperature: -40°C~+105°C
 5. Undimensioned tolerances:

Pitch range in mm		Nominal dimension range in mm						-	∩	□			
TO	Over	TO	Over	TO	Over	TO	Over	TO	Over	TO	Over	TO	Over
6	6 TO 10	10	10 TO 24	30	30 TO 60	60	60 TO 100	100	100 TO 150	150	150 TO 300	300	300 TO 1000
	±0.15	±0.20	±0.30	±0.30	±0.50	±0.70	±1.00	±1.30	±2.0	±0.1/10			

6. RoHS Compliance



DETACHED LISTS	PART NO.:	慈溪市美感电子接插件厂 Cixi Meigan Electric Appliance Socket Factory			
	APPD:	NAME: MG65HM-11.0			
	CHKD:	TITLE: CUSTOMER DRAWING		REV	DO
	DRFT:	DRAWING NO.:		SHEET	1/1
	THIRD ANGLE PROJECTION	MM (INCH)	DO NOT SCALE DRAWING	SCALE	1:1