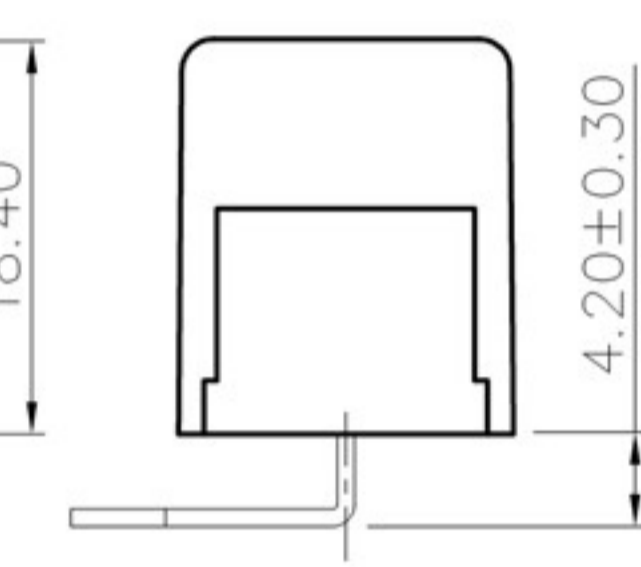
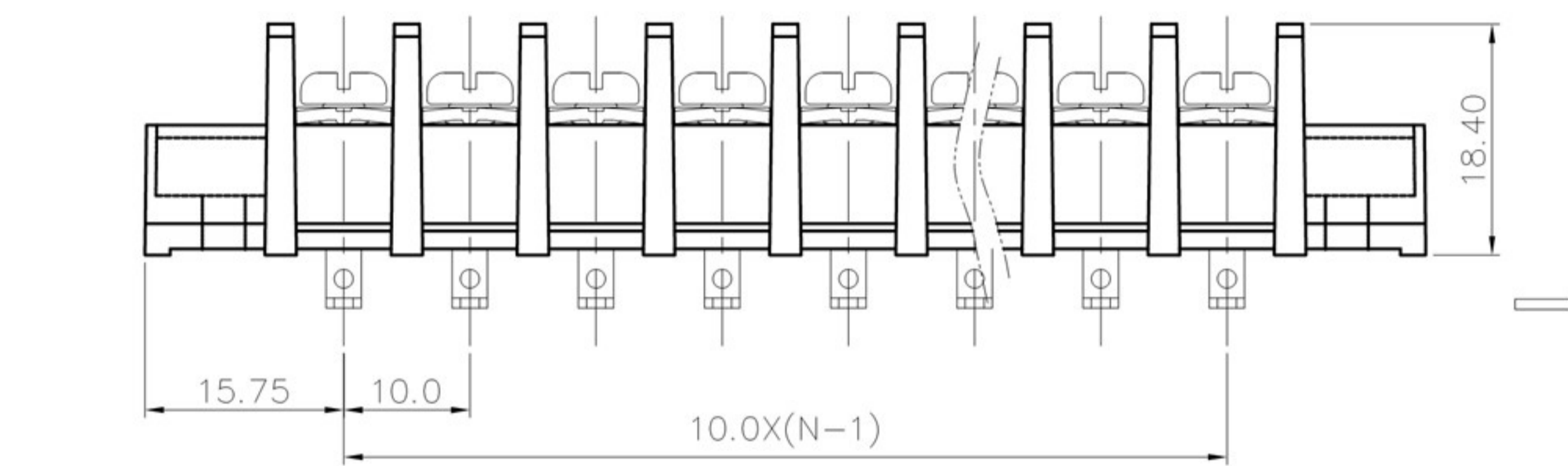
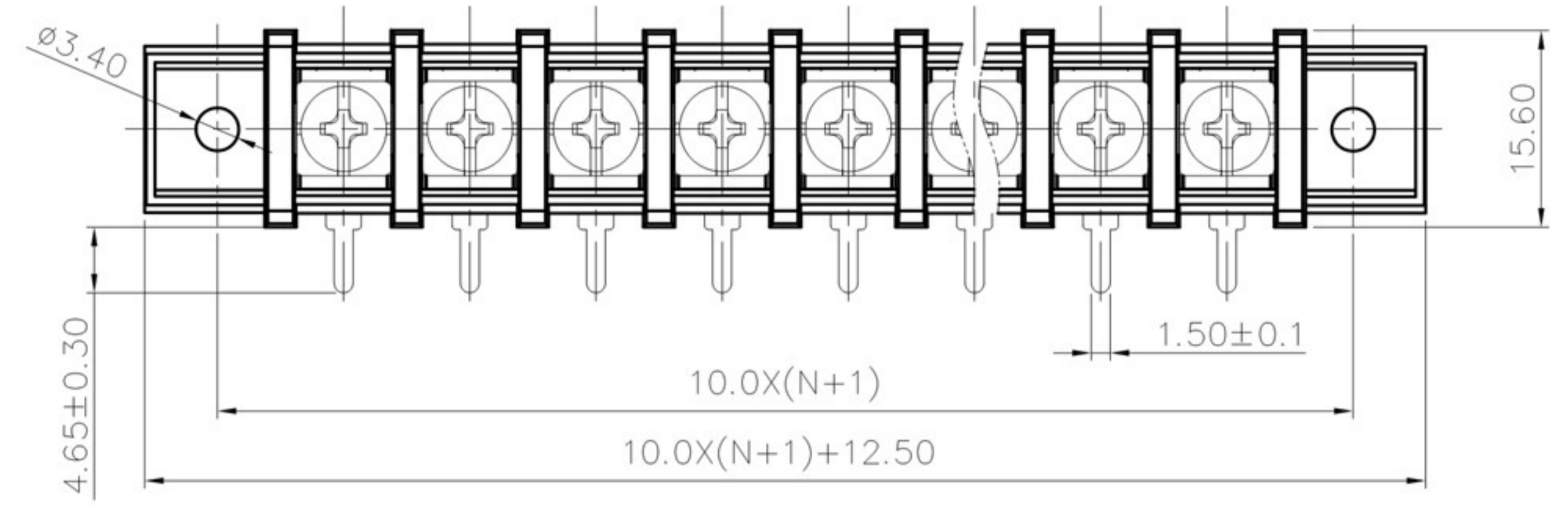


REVISION RECORD				
REV	ECN	DESCRIPTION	DRFT	DATE

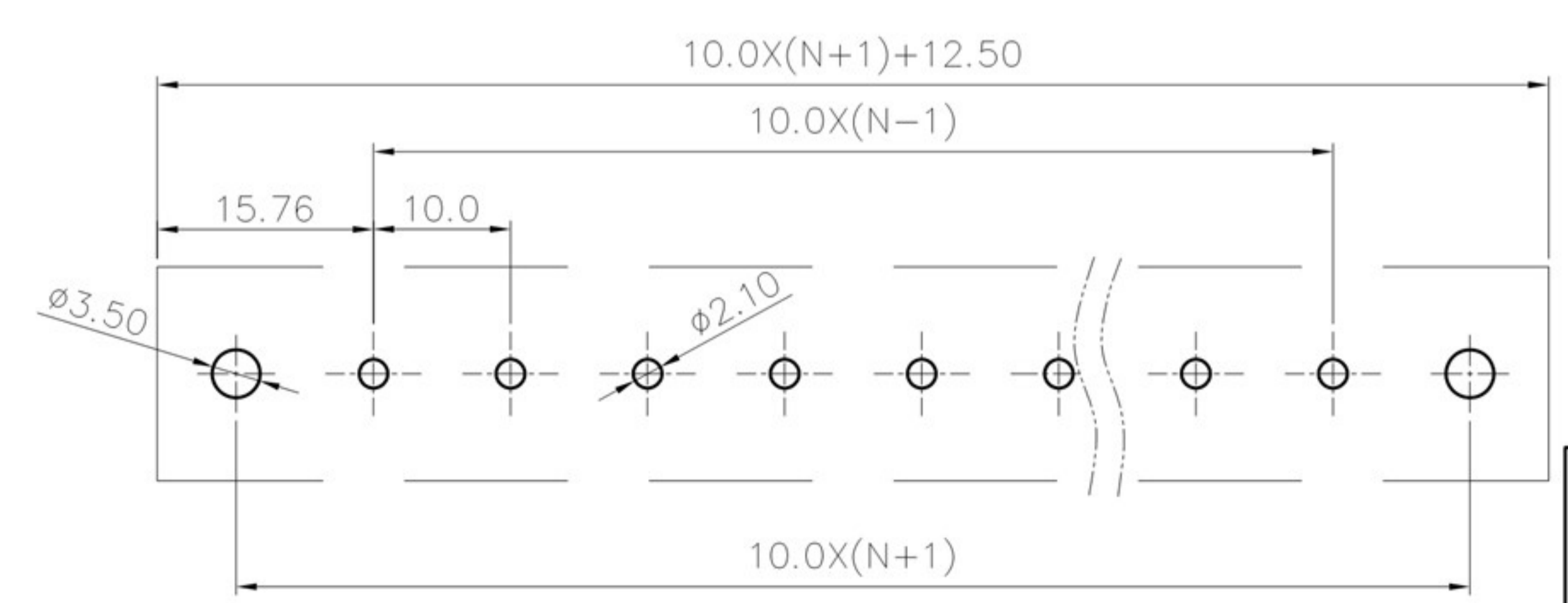


NOTES1:
 UL Standard
 1. Rated voltage/current : 300V / 20A
 2. Torque value : M4 , 10.53Lb.in
 3. Wire range : 22~12AWG

NOTES2:
 1. Dimension shall be interpreted per ASME Y14.5-2009
 2. Pitch : 10.0mm, Poles : N=02~24P
 3. Withstanding voltage : AC1600V/1Min
 4. Operating temperature: -40°C~+105°C
 5. Undimensioned tolerances:

Pitch range in mm		Nominal dimension range in mm						-	∩	∇
TO	Over	TO	Over	TO	Over	TO	Over	TO	Over	TO
6	6	10	10	24	30	30	60	100	150	150
±0.15	±0.20	±0.30	±0.30	±0.50	±0.70	±1.00	±1.30	±2'	0.1/10	<

6. RoHS Compliance



PCB LAYOUT

DETACHED LISTS	PART NO.:	慈溪市美感电子接插件厂 Cixi Meigan Electric Appliance Socket Factory			
	APPD:	NAME: MG55RM-10.0			
	CHKD:	TITLE: CUSTOMER DRAWING		REV	DO
	DRFT:	DRAWING NO.:		SHEET	1/1
	THIRD ANGLE PROJECTION		MM (INCH)	DO NOT SCALE DRAWING	SCALE