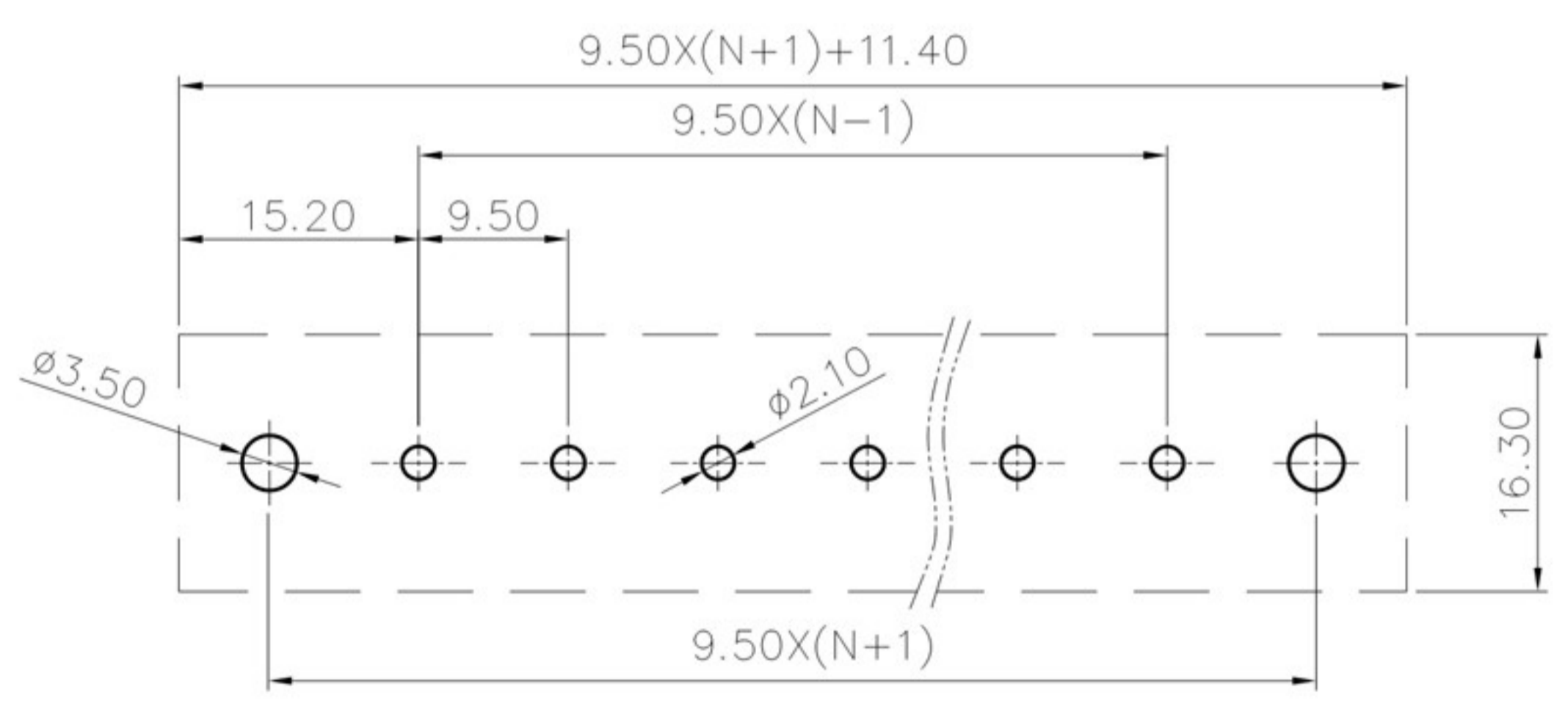
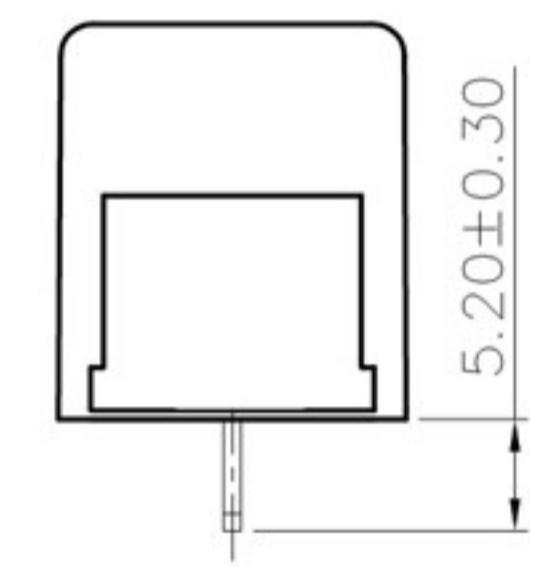
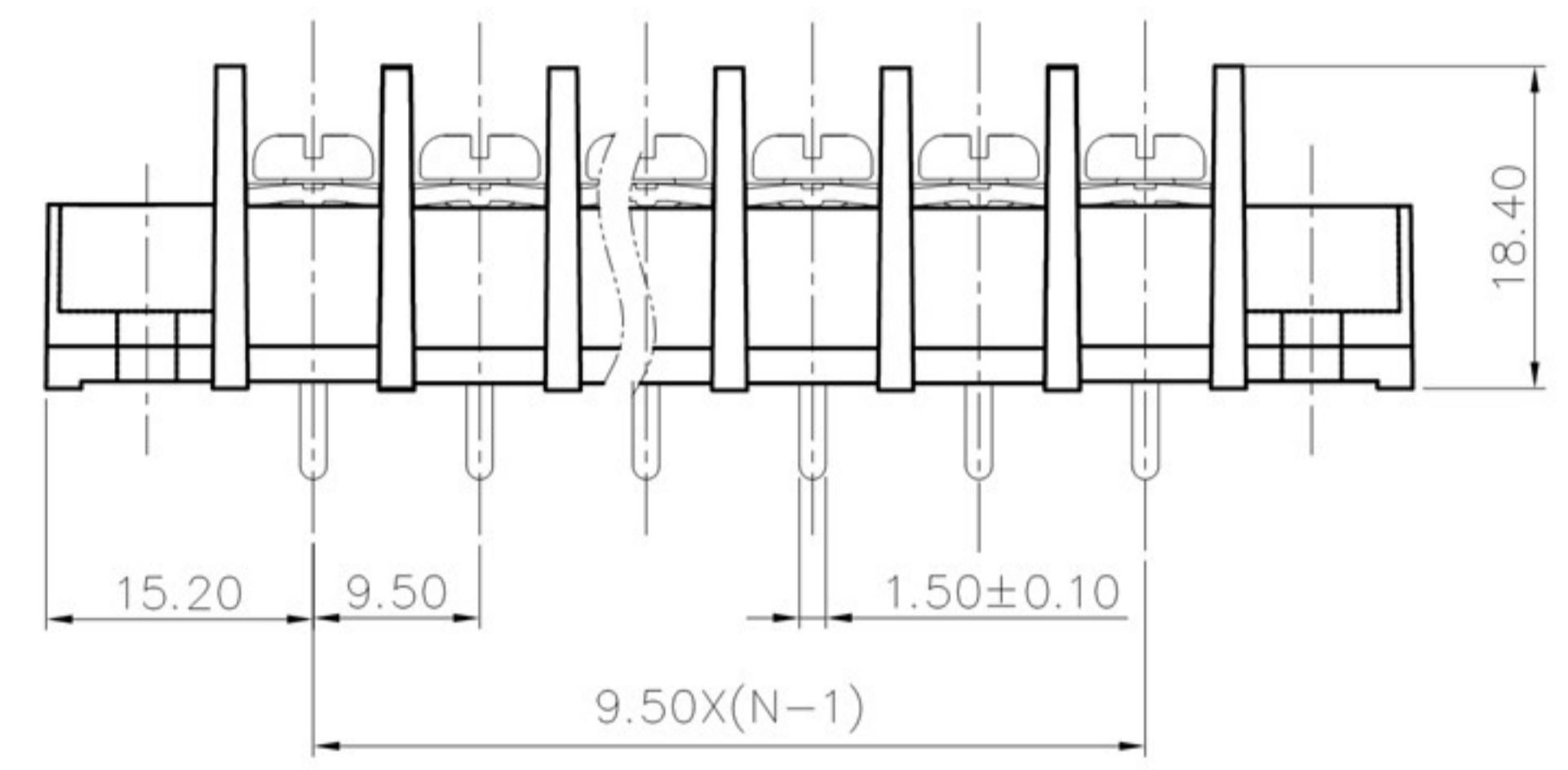
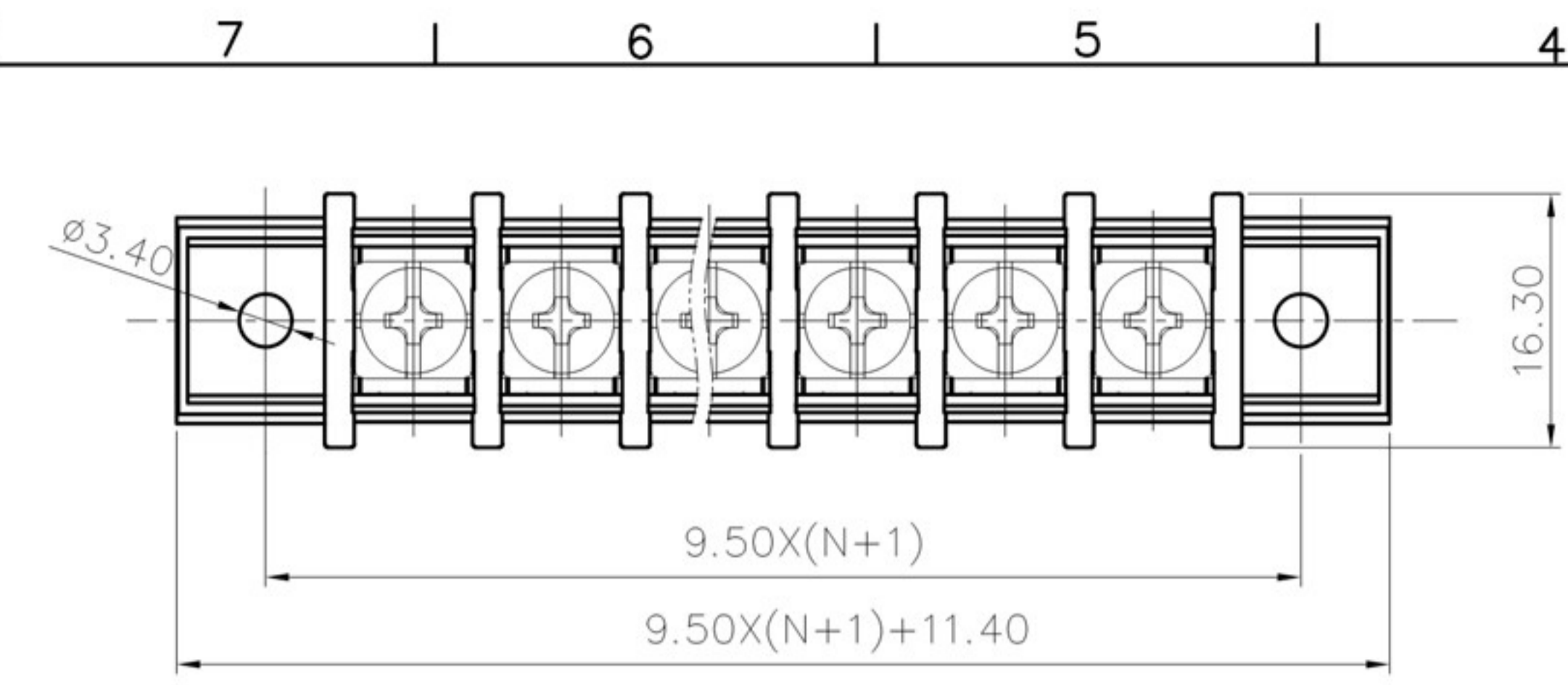


REVISION RECORD				
REV	ECN	DESCRIPTION	DRFT	DATE



NOTES1:

- UL Standard
- 1. Rated voltage/current : 300V / 25A
- 2. Torque value : M4 , 10.53Lb.in
- 3. Wire range : 22~12AWG

NOTES2:

- 1. Dimension shall be interpreted per ASME Y14.5-2009
- 2. Pitch : 9.50mm, Poles : N=02~24P
- 3. Withstanding voltage : AC1600V/1Min
- 4. Operating temperature: $-40^{\circ}\text{C} \sim +105^{\circ}\text{C}$
- 5. Undimensioned tolerances:

Pitch range in mm		Nominal dimension range in mm						-	\cap	\square
TO	Over	Over	TO	Over	Over	Over	Over	0.1/10		
6	10	24	30	60	100	150		<		
± 0.15	± 0.20	± 0.30	± 0.30	± 0.50	± 0.70	± 1.00	± 1.30	$\pm 2'$		

6. RoHS Compliance

DETACHED LISTS	PART NO.:	慈溪市美感电子接插件厂 Cixi Meigan Electric Appliance Socket Factory			
	APPD:	NAME: MG45CM-9.5			
	CHKD:	TITLE: CUSTOMER DRAWING			
	DRFT:	REV	DO		
	DRAWING NO.:		SHEET	1/1	
THIRD ANGLE PROJECTION		SCALE	1:1		
		DO NOT SCALE DRAWING			