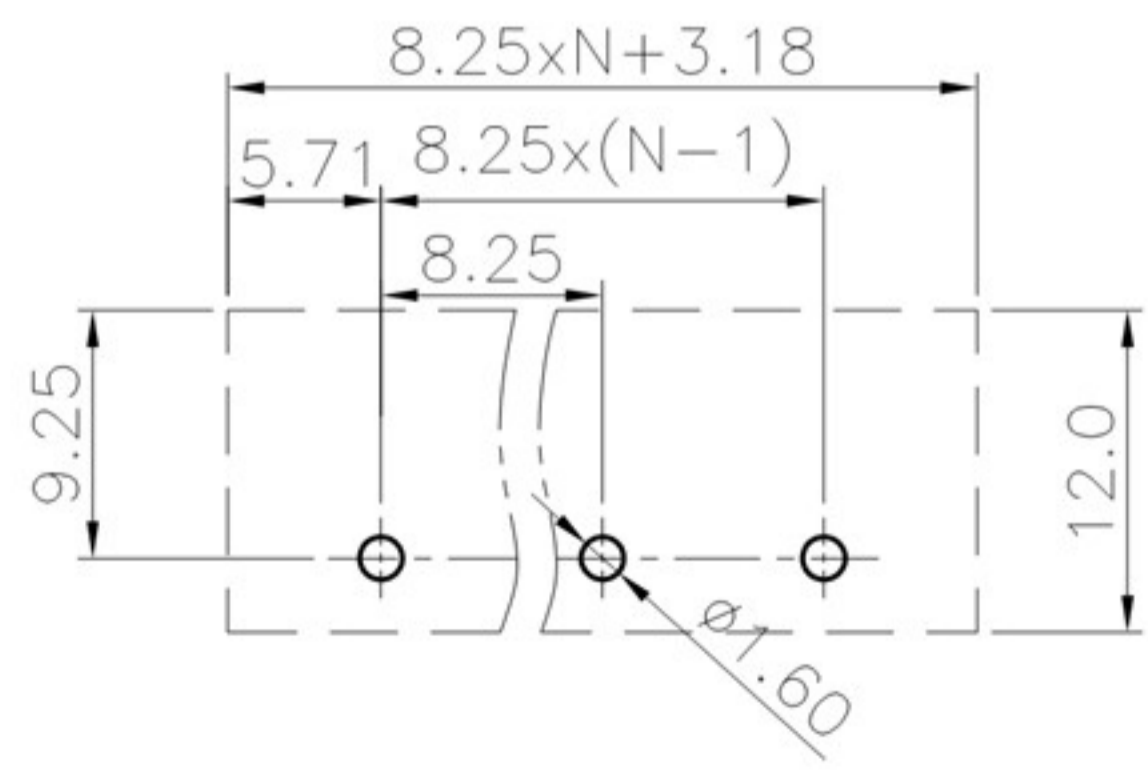
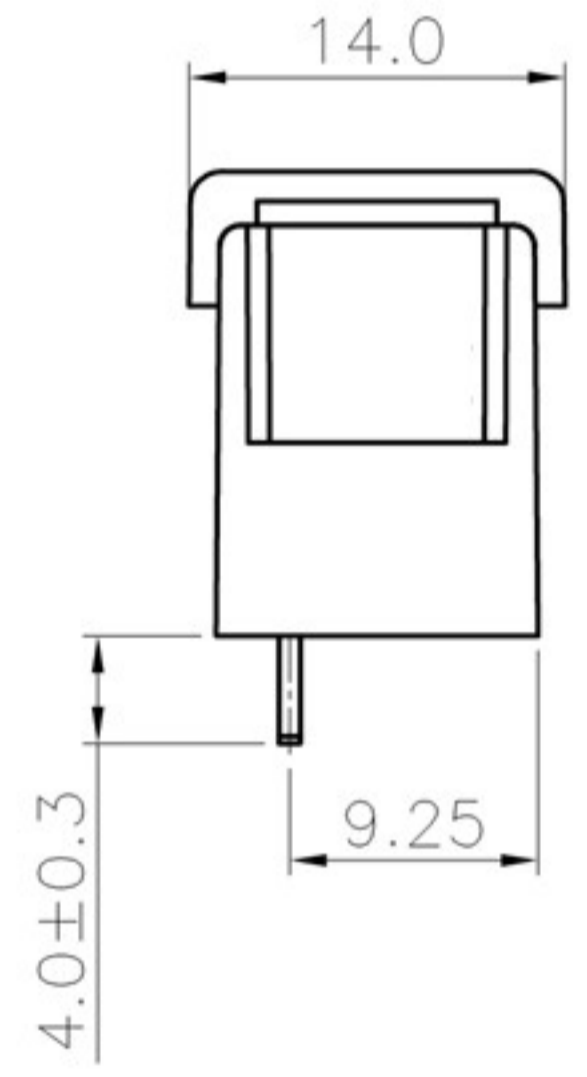
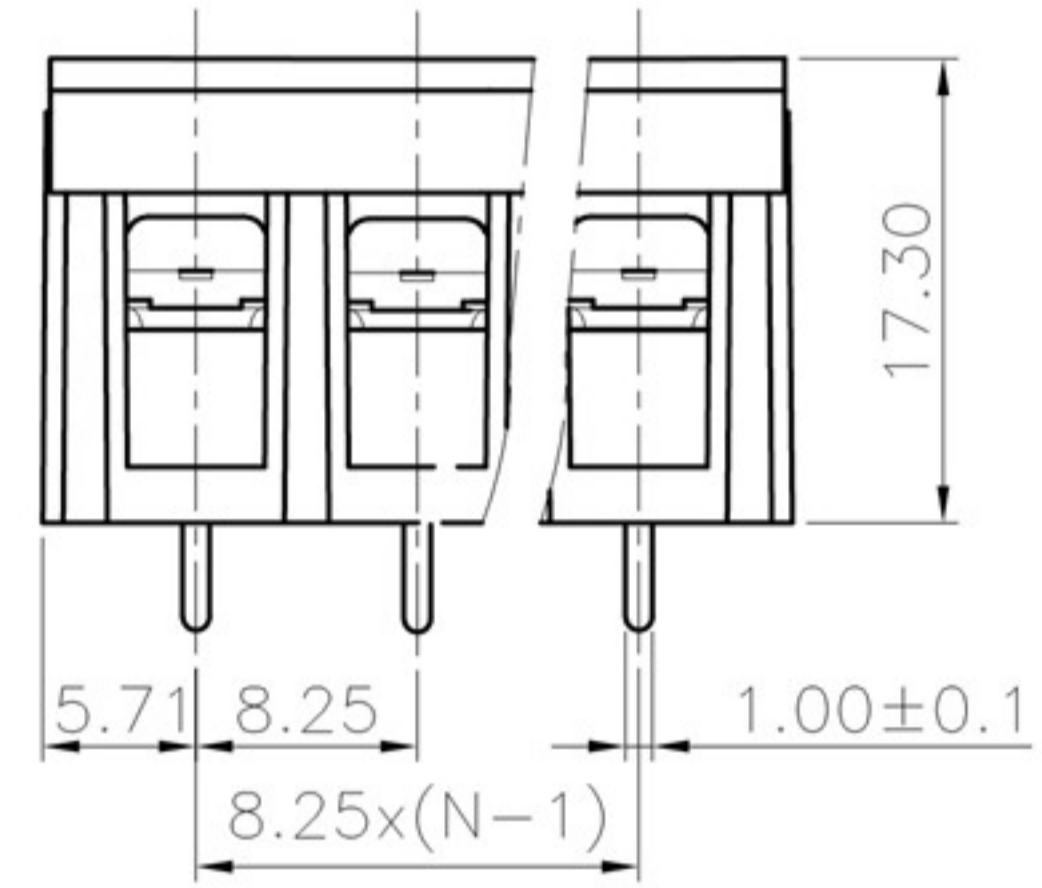
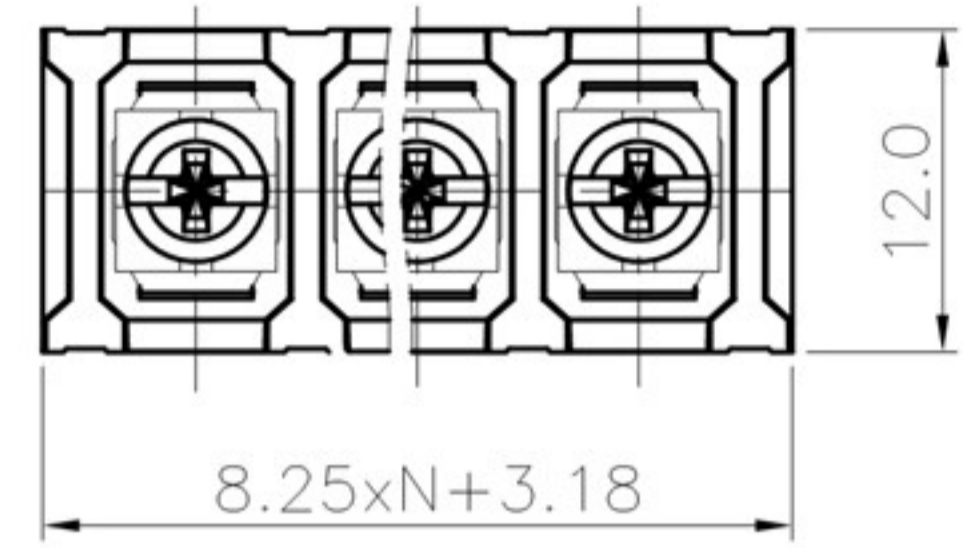


REVISION RECORD				
REV	ECN	DESCRIPTION	DRFT	DATE

(W/O COVER)



PCB LAYOUT

NOTES1:

- UL Standard
- 1.Rated voltage/current : 300V / 15A
- 2.Torque value : M3 , 4.43Lb.in
- 3.Wire range : 22~14AWG

NOTES2:

- 1.Dimension shall be interpreted per ASME Y14.5-2009
- 2.Pitch : 8.25mm, Poles : N=02~26P
- 3.Withstanding voltage : AC1600V/1Min
- 4.Operating temperature: -40°C~+105°C
- 5.Undimensioned tolerances:

Pitch range in mm		Nominal dimension range in mm						-	∩	□
TO	Over	TO	Over	TO	Over	TO	Over	TO	Over	
6	6 TO 10	10 TO 24	30 TO 60	60 TO 100	100 TO 150	150	0.1/10	<	±2'	

6.RoHS Compliance

DETACHED LISTS	PART NO.:	慈溪市美感电子接插件厂 Cixi Meigan Electric Appliance Socket Factory			
	APPD:	NAME: MG38S-8.25			
	CHKD:	TITLE: CUSTOMER DRAWING			
	DRFT:	REV	DO		
	DRAWING NO.:		SHEET	1/1	
THIRD ANGLE PROJECTION		SCALE	1:1		
MM (INCH)		DO NOT SCALE DRAWING			