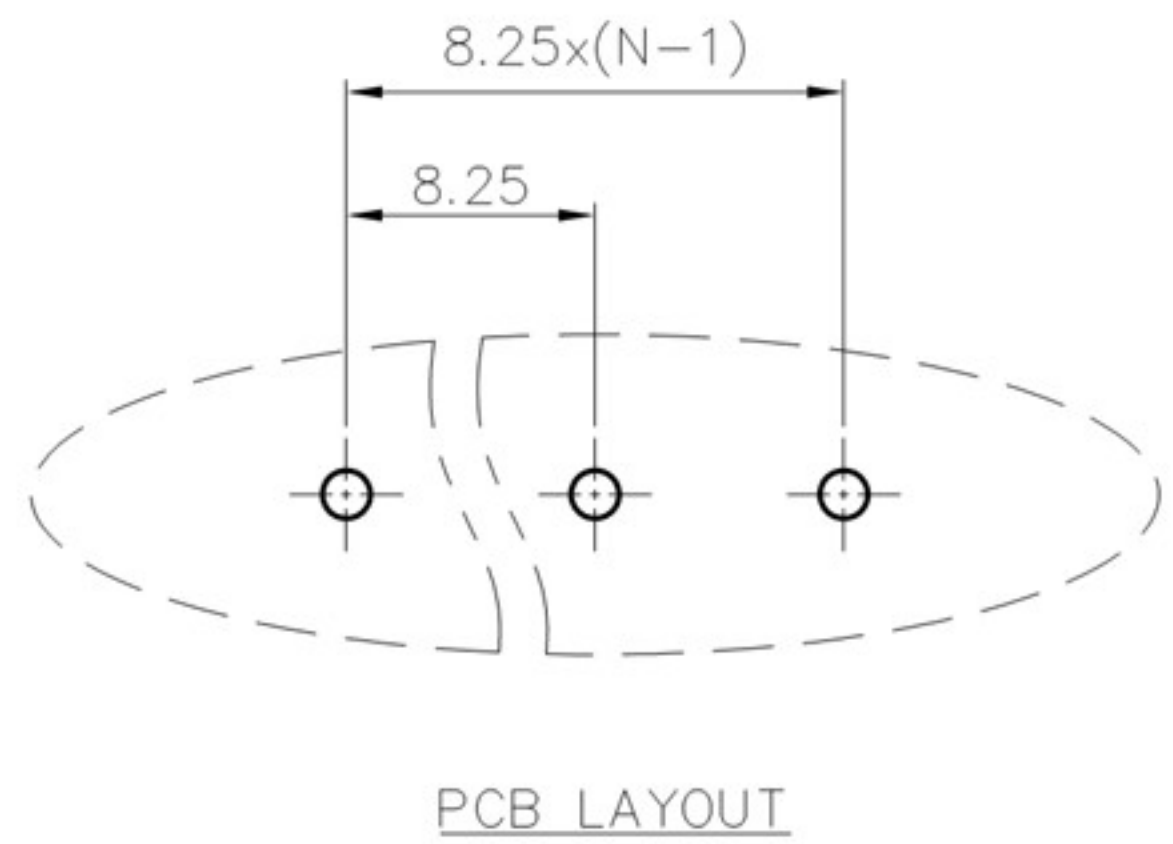
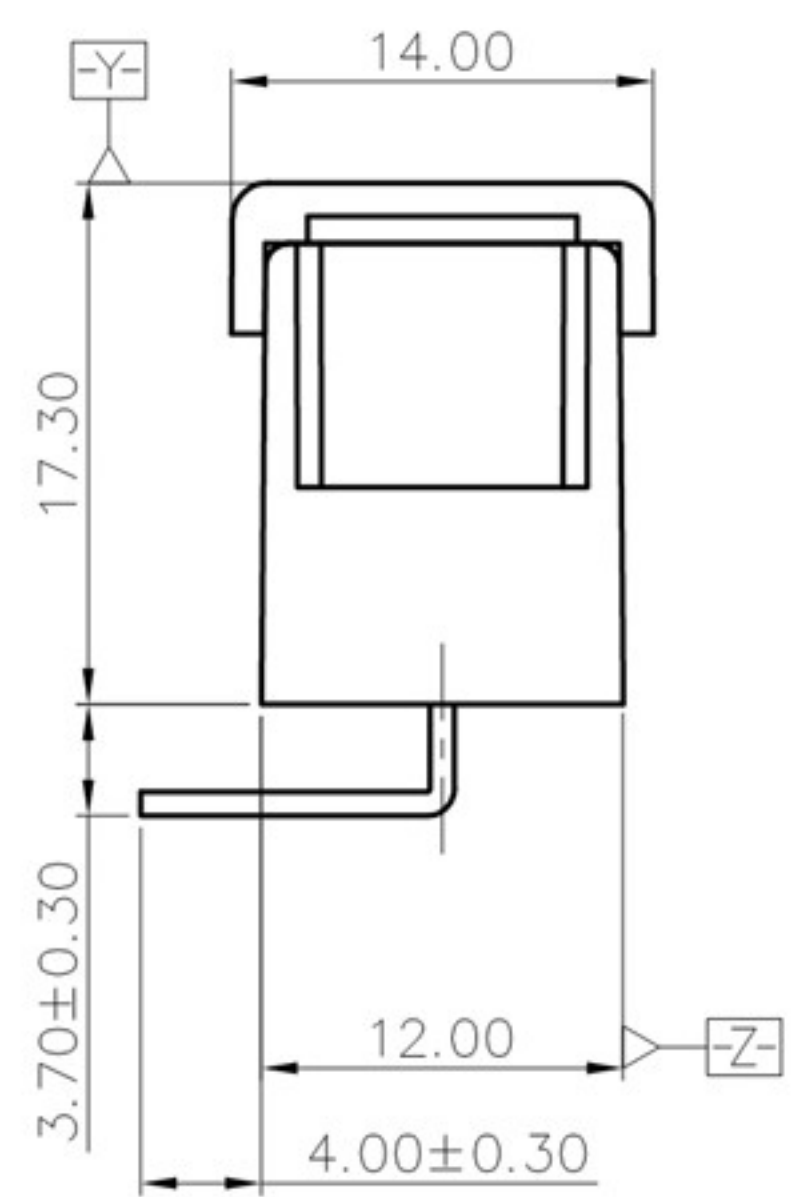
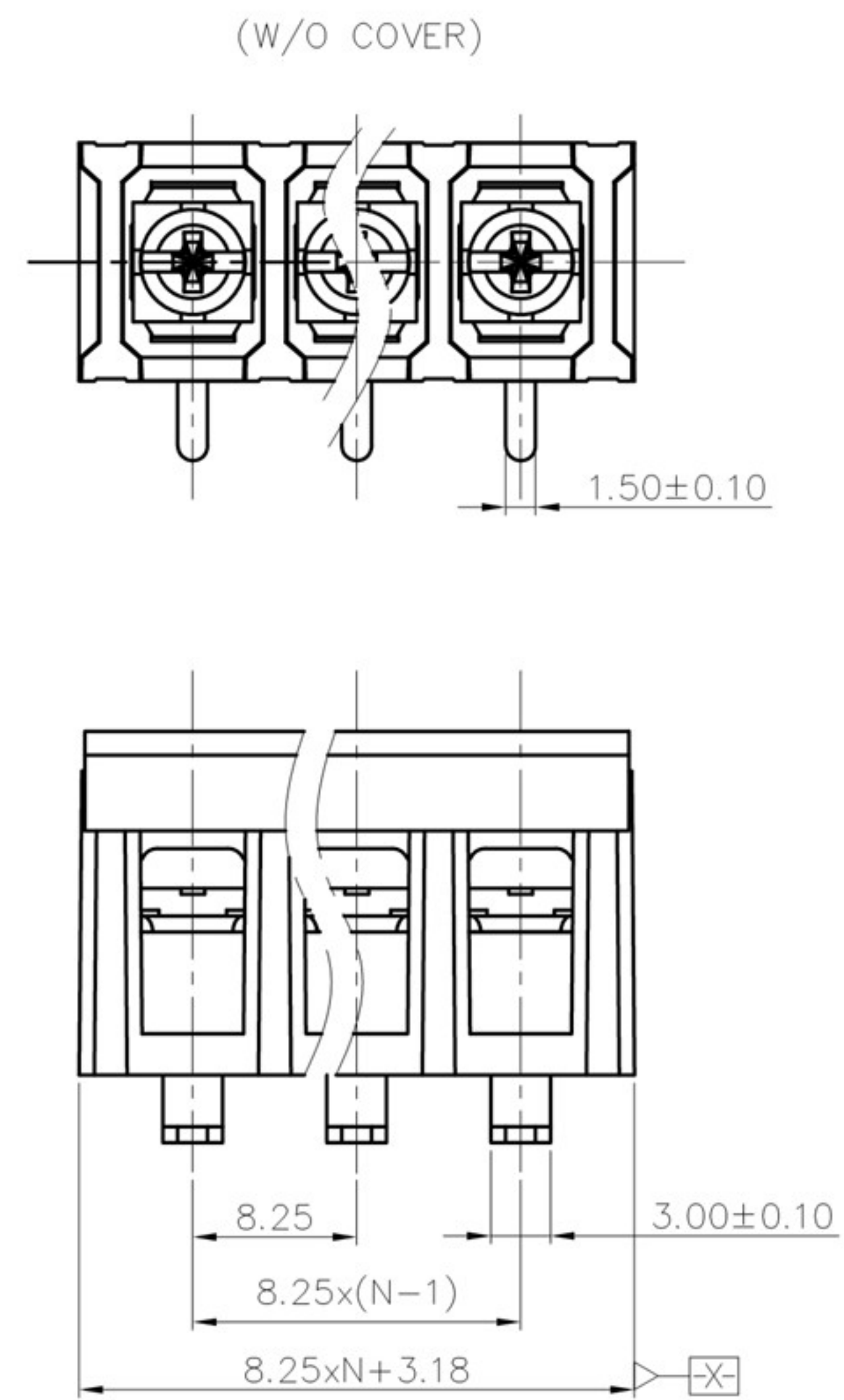


REVISION RECORD				
REV	ECN	DESCRIPTION	DRFT	DATE



NOTES1:
 UL Standard
 1.Rated voltage/current : 300V / 15A
 2.Torque value : M3 , 4.43Lb.in
 3.Wire range : 22~14AWG

NOTES2:
 1.Dimension shall be interpreted per ASME Y14.5-2009
 2.Pitch : 8.25mm, Poles : N=02~26P
 3.Stripping length : 6~7mm
 4.Withstanding voltage : AC1600V/1Min
 5.Operating temperature: -40°C~+105°C
 6.Undimensioned tolerances:

Pitch range in mm		Nominal dimension range in mm					0.1/10	
TO	Over TO	TO	Over TO	Over TO	Over TO			
6	10	30	60	100	150	<		
±0.15	±0.20	±0.30	±0.30	±0.50	±0.70	±1.00	±1.30	±2'

7.RoHS Compliance

DETACHED LISTS	PART NO.: /		慈溪市美感电子接插件厂 Cixi Meigan Electric Appliance Socket Factory		
	APPD: /		NAME: MG38R-8.25		
	CHKD: /		TITLE: CUSTOMER DRAWING		
	DRFT: /		REV	DO	
	DRAWING NO.: /		SHEET	1/1	
THIRD ANGLE PROJECTION		MM (INCH)	DO NOT SCALE DRAWING	SCALE	1:1