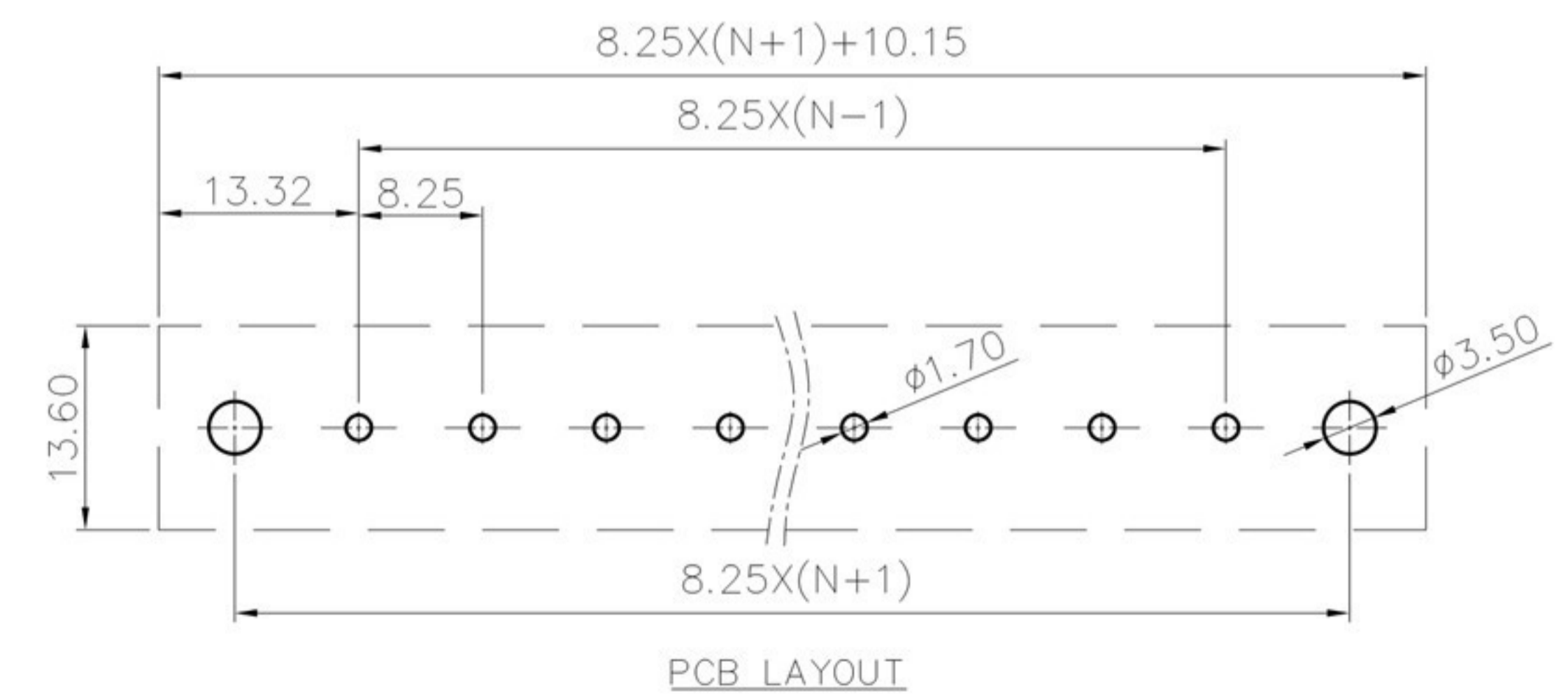
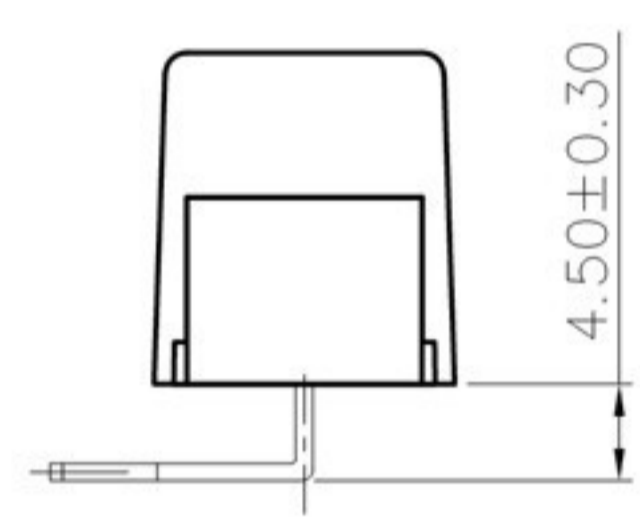
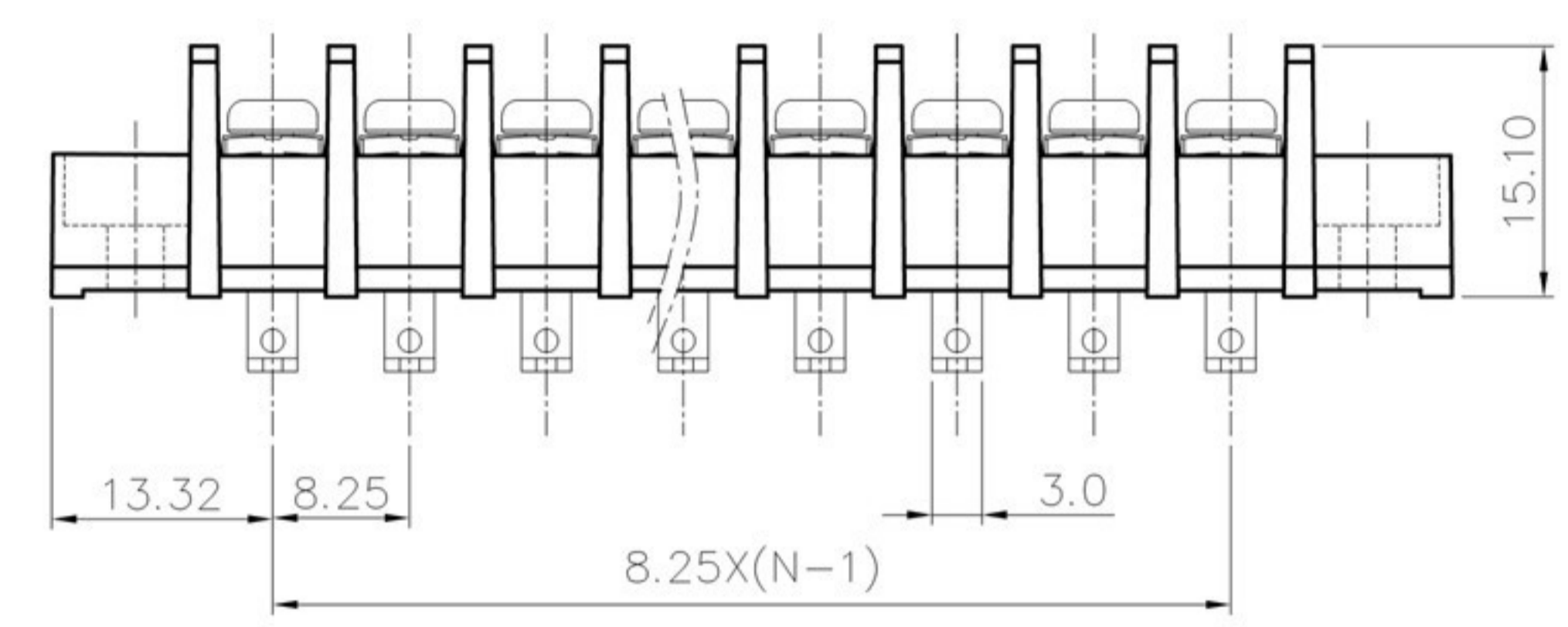
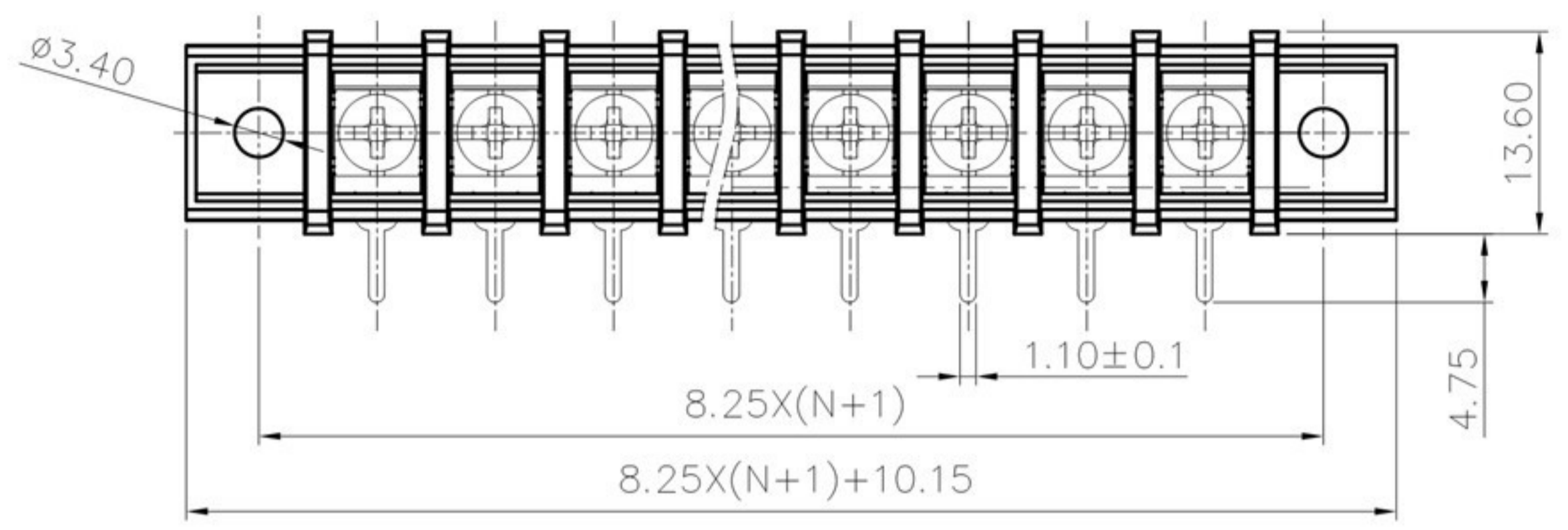


REVISION RECORD				
REV	ECN	DESCRIPTION	DRFT	DATE



NOTES1:
 UL Standard
 1. Rated voltage/current : 300V / 20A
 2. Torque value : M3 , 4.43Lb.in
 3. Wire range : 22~12AWG

NOTES2:
 1. Dimension shall be interpreted per ASME Y14.5-2009
 2. Pitch : 8.25mm, Poles : N=02~24P
 3. Withstanding voltage : AC1600V/1Min
 4. Operating temperature: -40°C~+105°C
 5. Undimensioned tolerances:

Pitch range in mm		Nominal dimension range in mm					Tolerances	
TO	Over	TO	Over	TO	Over	TO	Over	
6	10	10	24	30	60	100	150	0.1/10
± 0.15	± 0.20	± 0.30	± 0.30	± 0.50	± 0.70	± 1.00	± 1.30	$\pm 2'$

6. RoHS Compliance

DETACHED LISTS	PART NO.:	慈溪市美感电子接插件厂 Cixi Meigan Electric Appliance Socket Factory			
	APPD:	NAME: MG35RM-8.25			
	CHKD:	TITLE: CUSTOMER DRAWING		REV	D0
	DRFT:	DRAWING NO.:		SHEET	1/1
	THIRD ANGLE PROJECTION		MM (INCH)	DO NOT SCALE DRAWING	SCALE