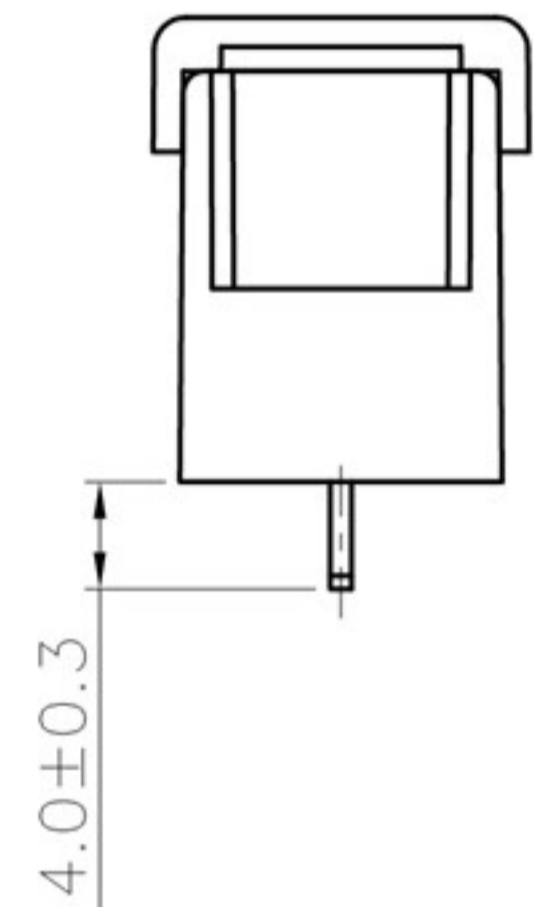
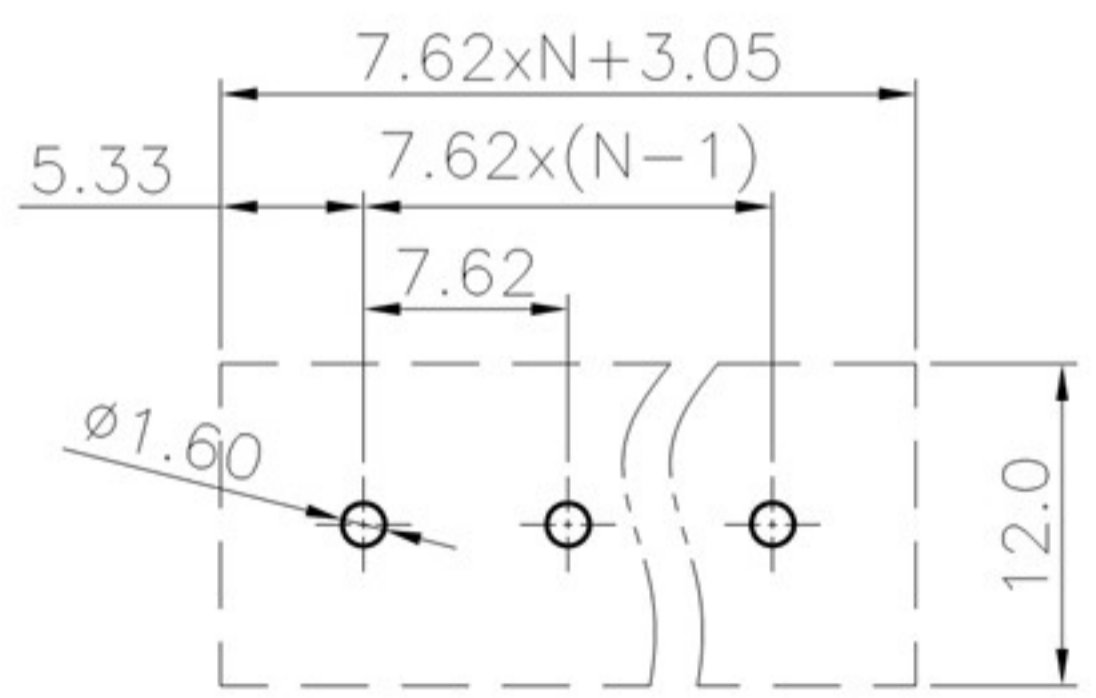
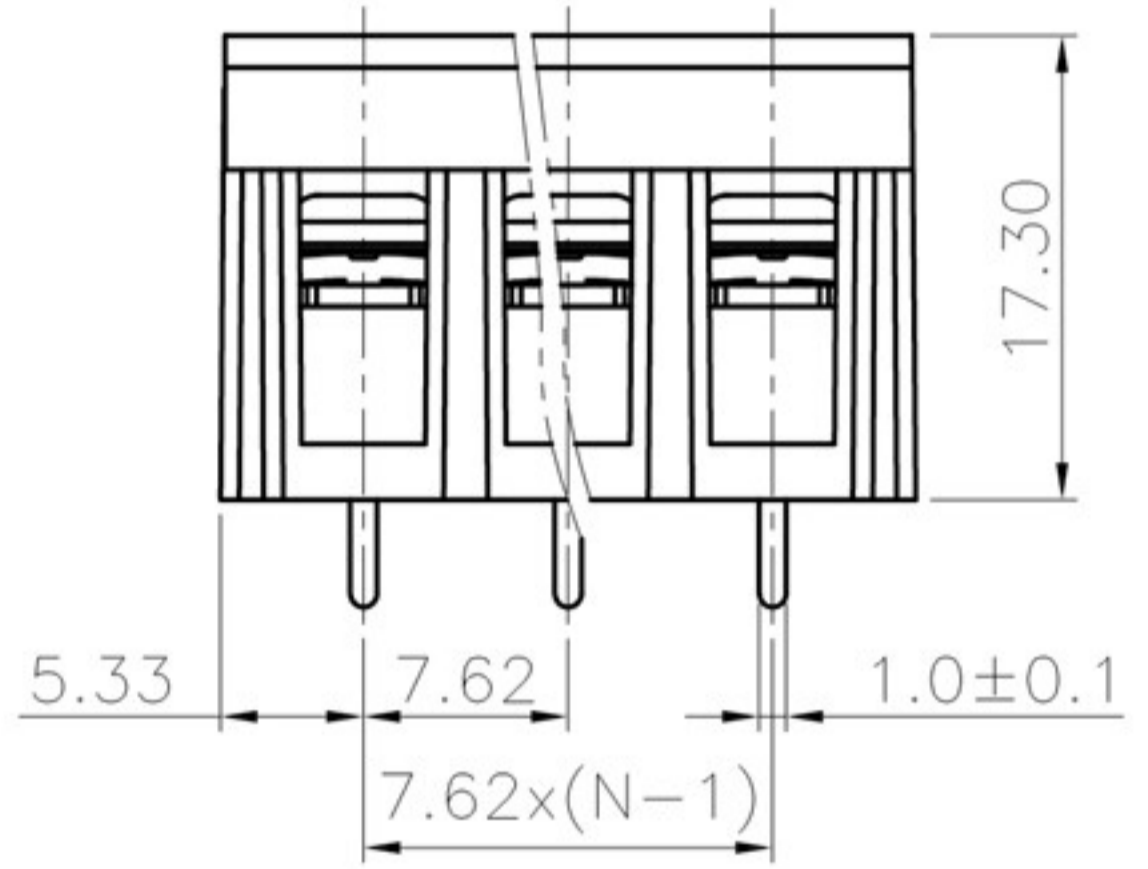
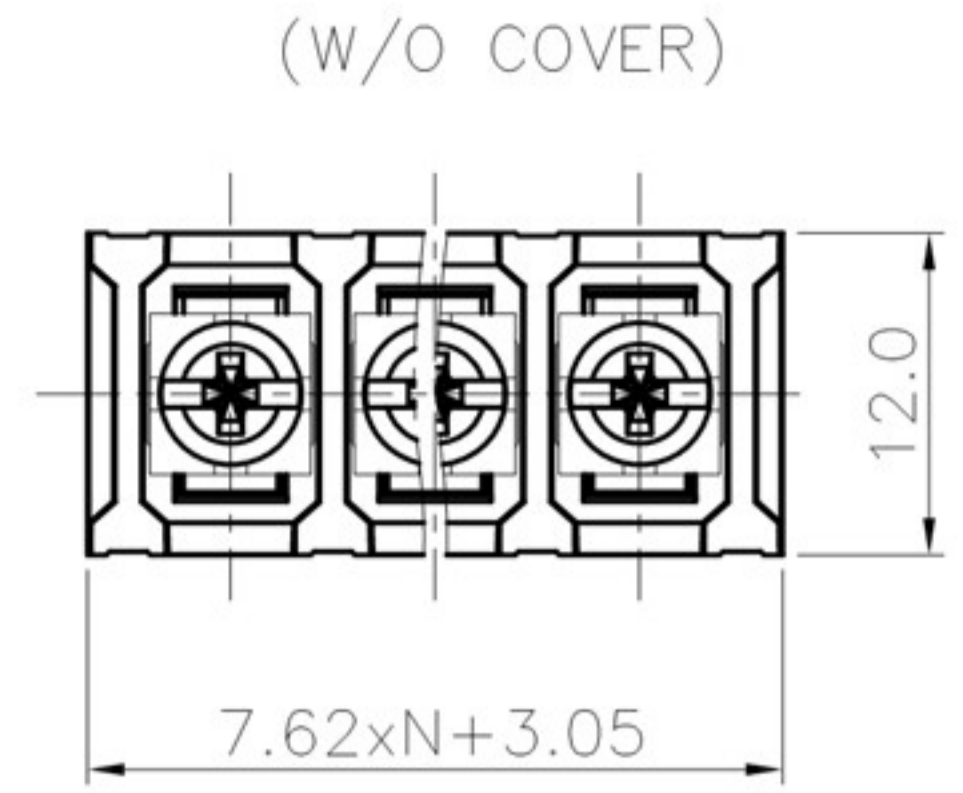


REVISION RECORD				
REV	ECN	DESCRIPTION	DRFT	DATE



NOTES1:
 UL Standard
 1.Rated voltage/current : 300V / 15A
 2.Torque value : M3 , 4.43Lb.in
 3.Wire range : 22~14AWG

NOTES2:
 1.Dimension shall be interpreted per ASME Y14.5-2009
 2.Pitch : 7.62mm, Poles : N=02~26P
 3.Withstanding voltage : AC1600V/1Min
 4.Operating temperature:-40°C~+105°C
 5.Undimensioned tolerances:

Pitch range in mm		Nominal dimension range in mm					-	∩	∇
TO	Over TO	Over TO	TO	Over TO	Over TO	Over TO	0.1/10		
6	10	24	30	60	100	150		<	
±0.15	±0.20	±0.30	±0.30	±0.50	±0.70	±1.00	±1.30	±2'	

6.RoHS Compliance

DETACHED LISTS	PART NO.:	慈溪市美感电子接插件厂 Cixi Meigan Electric Appliance Socket Factory			
	APPD:	NAME: MG28C-7.62			
	CHKD:	TITLE: CUSTOMER DRAWING			
	DRFT:	DRAWING NO.:		REV	DO
	THIRD ANGLE PROJECTION		MM (INCH)	DO NOT SCALE DRAWING	SHEET 1/1
			SCALE	1:1	