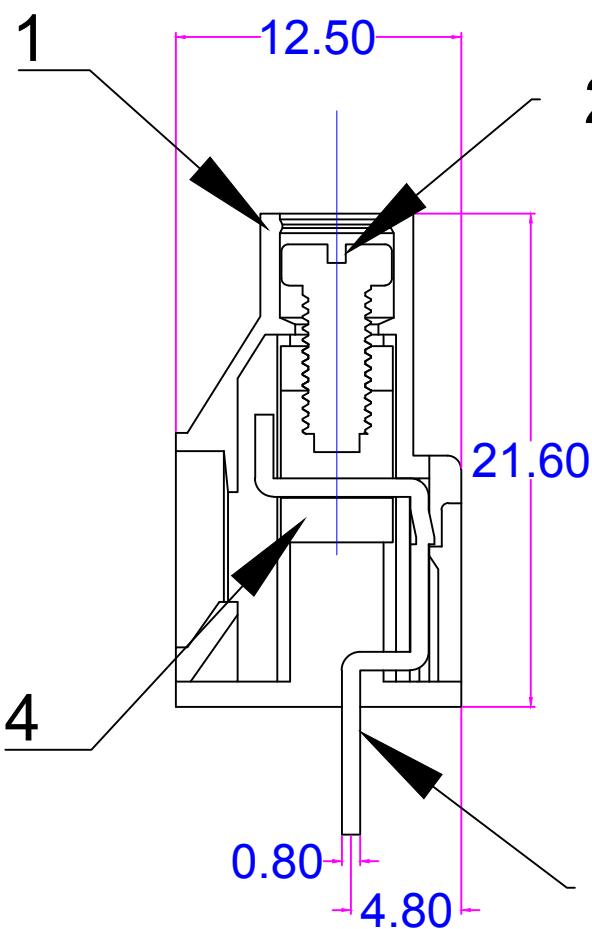
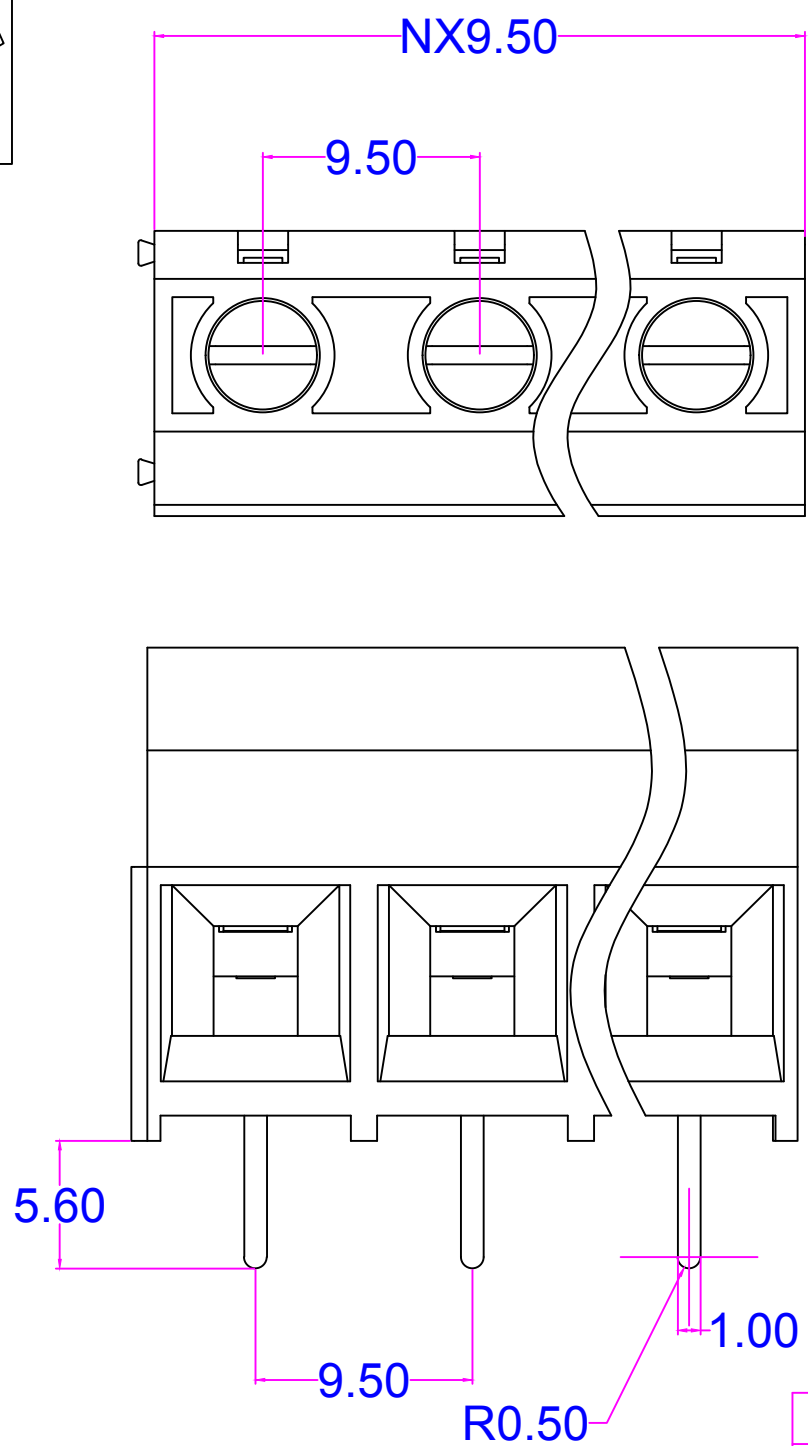
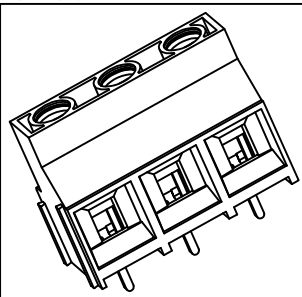


D1RFR006



pitch range in mm		Nominal dimension range in mm						—
to	over	over	to	over	over	over	over	
6	10	10	24	30	60	100	150	
±0.10	±0.15	±0.25	±0.20	±0.30	±0.50	±0.7	±1.0	0.05/10

Poles:2P/3P-24P
 Pitch:9.5mm
 Voltage Rating:300V
 Current Rating:30A
 Wire range:26-12AWG
 Housing:PA66(UL 94V-0)
 Wire cage:Steel .Zinc.Plated or Brass
 Ni Plated
 Pin header:Brass,Tin Plated
 Screw:M3,Steel(Q235),Zinc Plated
 Torque:0.5N.m

序号/RevNO	名称/Title	文件编号/FileNO
1	MG950-9.5塑件	
2	MG950-9.5一字螺丝	
3	MG950-9.5夹子	
4	MG950-9.5方块	

设计/Designed by.	绘图/Drawing by.	审核/Checked by.	批准/Approved by.	未注公差 General Tolerance	
				.x ± 0.3	.x' ± 2°
图名/Title	文件编号/FileNO	慈溪市美感电子接插件厂 Cixi Meigan Electric Appliance Socket Factory			
MG950-9.5	页序/Sheet			.xx ± 0.15	.xx' ± 0.5°
备注/Remark	视图/PROJECTION			单位/Units:mm	

8 | 7 | 6 | 5 | 4 | 3 | 2 | 1

H
G
F
E
D
C
B
A