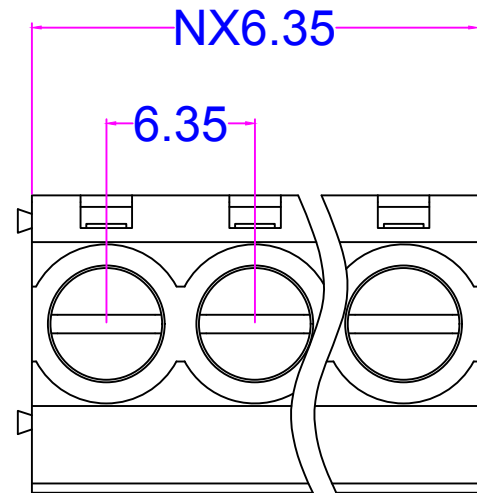
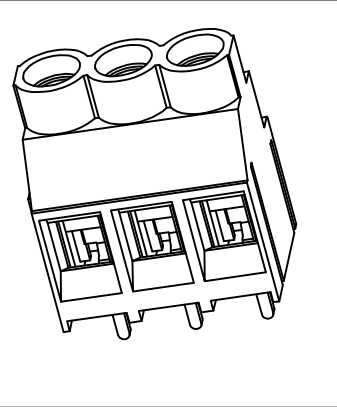
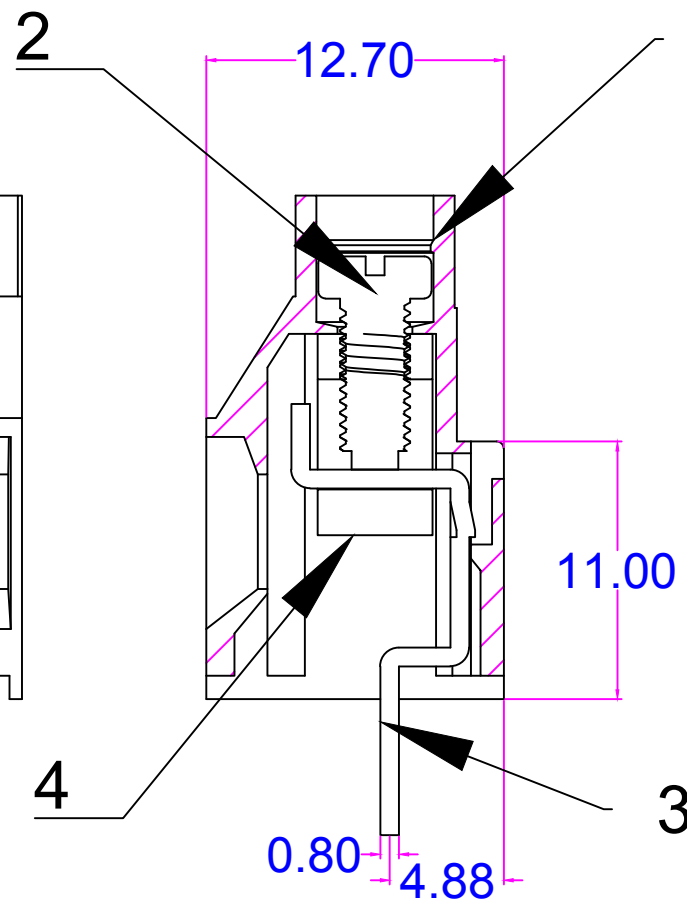
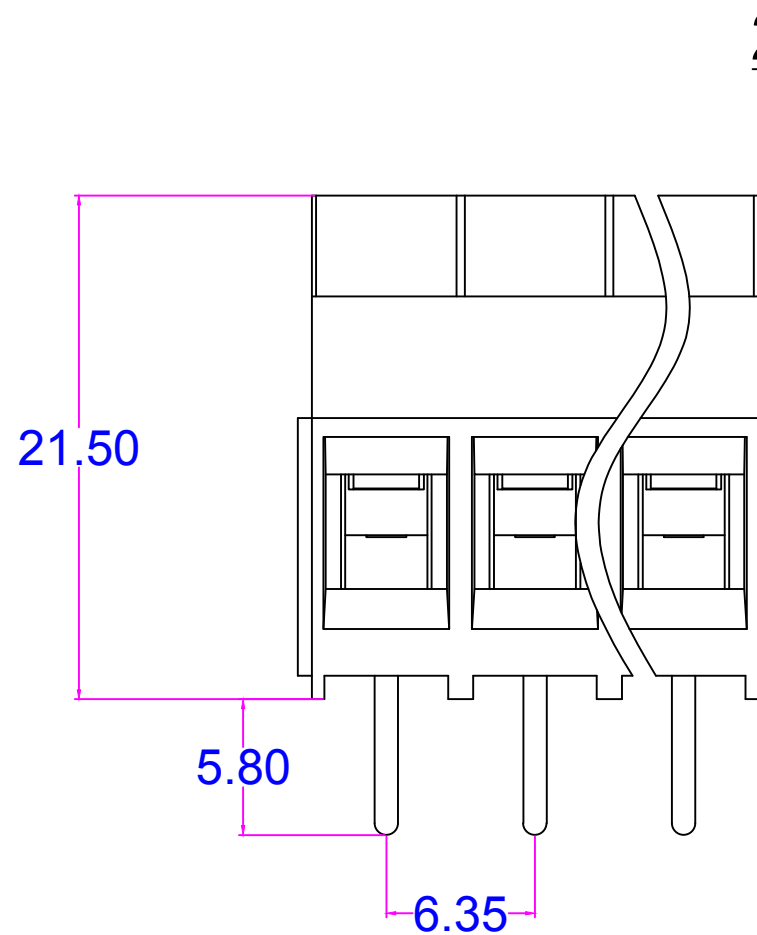


D1RFRD006



序号/RevNO	名称/Title	文件编号/FileNO
1	MG635-6.35塑件	
2	MG635-6.35一字螺丝	
3	MG635-6.35夹子	
4	MG635-6.35方块	

pitch range in mm			Nominal dimension range in mm					—	
to	over	over	to	over	over	over	over		
6	6 to 10	10 to 24	30	30 to 60	60 to 100	100 to 150	150		
	± 0.10	± 0.15	± 0.25	± 0.20	± 0.30	± 0.50	± 0.7	± 1.0	0.05/10



Poles: 2P/3P-24P
 Pitch: 6.35mm
 Voltage Rating: 300V
 Current Rating: 20A
 Wire range: 26-10AWG
 Housing: PA66(UL 94V-0)
 Wire cage: Steel .Zinc.Plated or Brass Ni Plated
 Pin header: Brass, Tin Plated
 Screw: M3, Steel(Q235), Zinc Plated
 Torque: 0.5N.m

设计/Designed by.	绘图/Drawing by.	审核/Checked by.	批准/Approved by.	未注公差 General Tolerance	
图名/Title	文件编号/FileNO	慈溪市美感电子接插件厂 Cixi Meigan Electric Appliance Socket Factory		.x ± 0.3	x' ± 2°
MG635-6.35	页序/Sheet			.xx ± 0.15	.xx' ± 0.5°
备注/Remark	视图/PROJECTION			单位/Units:mm	

8 | 7 | 6 | 5 | 4 | 3 | 2 | 1

H
G
F
E
D
C
B
A