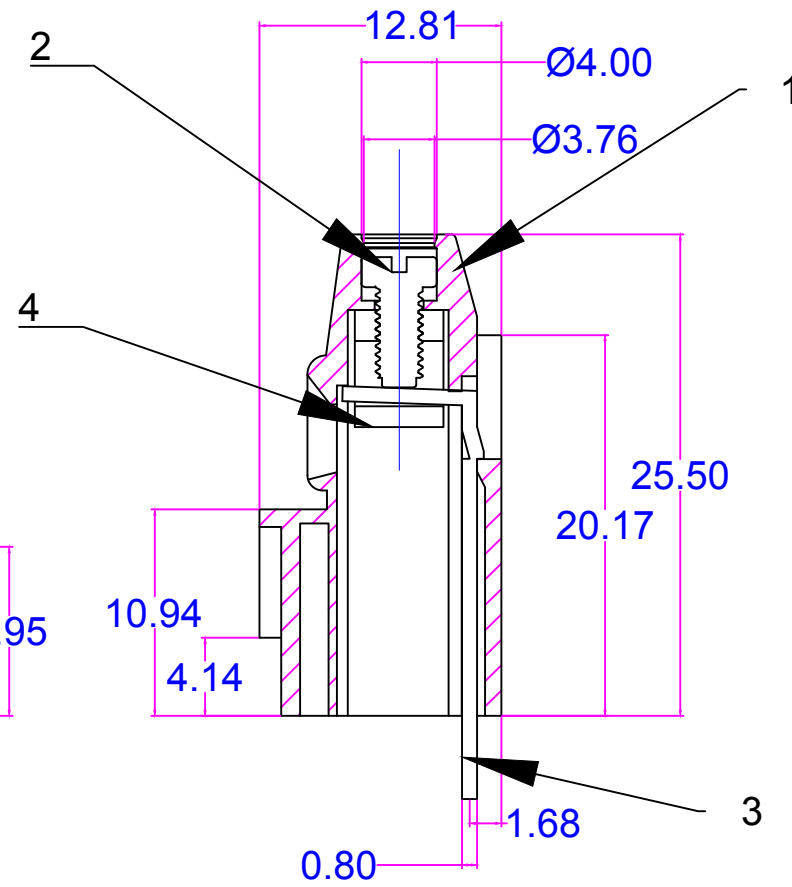
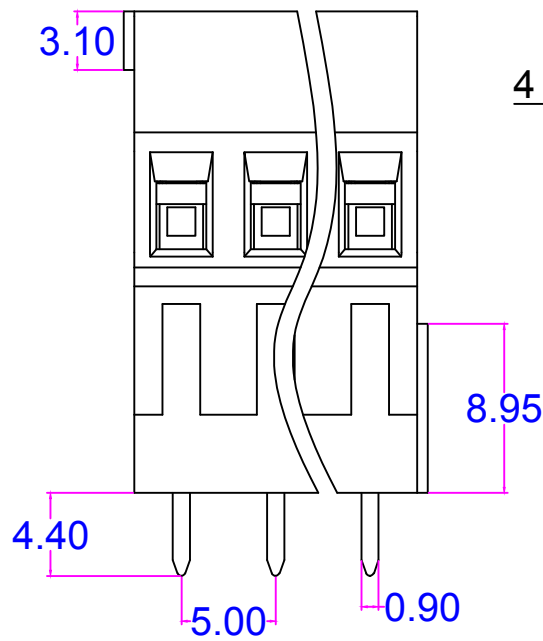
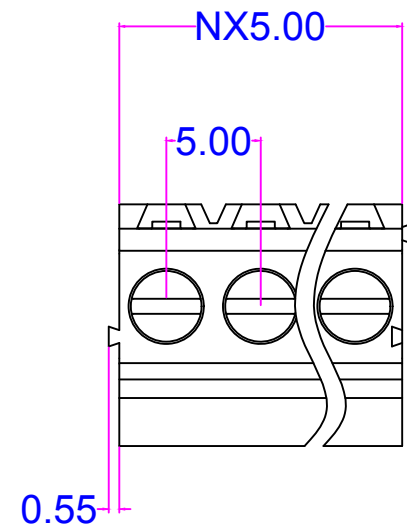
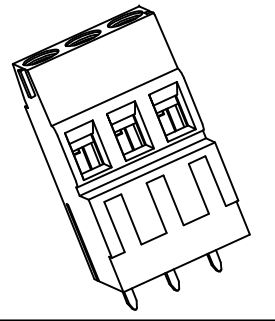


D1RFRD006



序号/RevNO	名称/Title	文件编号/FileNO
1	MG500H-5.0塑件	
2	MG500H-5.0一字螺丝	
3	MG500H-5.0夹子	
4	MG500H-5.0方块	

pitch range in mm			Nominal dimension range in mm					
to	over	over	to	over	over	over	over	
6	6 to 10	10 to 24	30	30 to 60	60 to 100	100 to 150	150	
	± 0.10	± 0.15	± 0.25	± 0.20	± 0.30	± 0.50	± 0.7	± 1.0
								0.05/10

Poles:2P/3P-24P  
 Pitch:5.0mm  
 Voltage Rating:300V  
 Current Rating:10A  
 Wire range:24-12AWG  
 Housing:PA66(UL 94V-0)  
 Wire cage:Steel .Zinc.Plated or Brass Ni Plated  
 Pin header:Brass,Tin Plated  
 Screw:M2.5,Steel(Q235),Zinc Plated  
 Torque:0.4N.m

设计/Designed by.	绘图/Drawing by.	审核/Checked by.	批准/Approved by.	未注公差 General Tolerance	
图名/Title	文件编号/FileNO	慈溪市美感电子接插件厂 Cixi Meigan Electric Appliance Socket Factory		.x ± 0.3	.x' ± 2°
MG500H-5.0	页序/Sheet			.xx ± 0.15	.xx' ± 0.5°
备注/Remark	视图/PROJECTION			单位/Units:mm	

8 | 7 | 6 | 5 | 4 | 3 | 2 | 1

H  
G  
F  
E  
D  
C  
B  
A