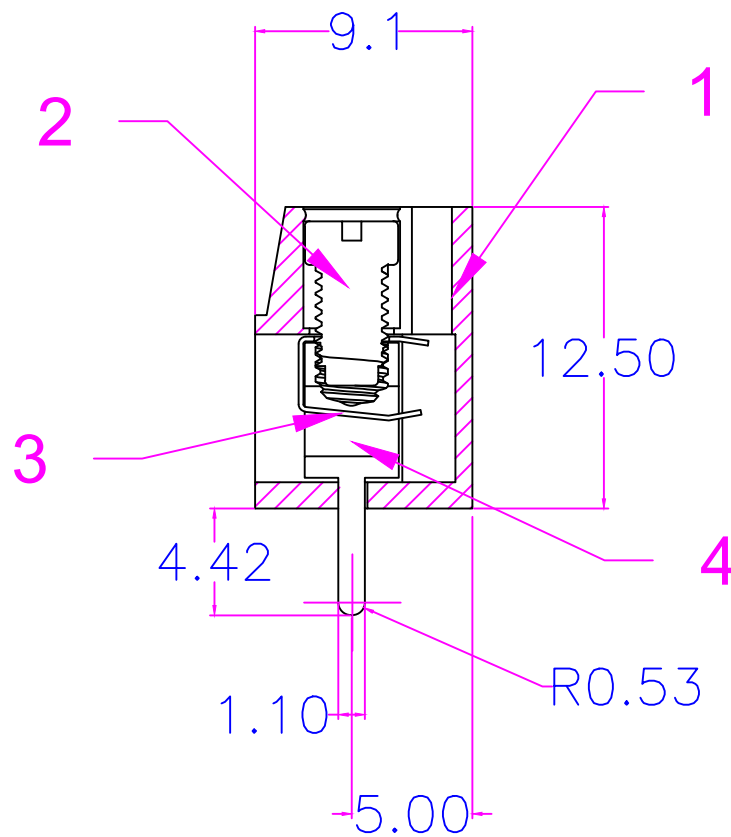
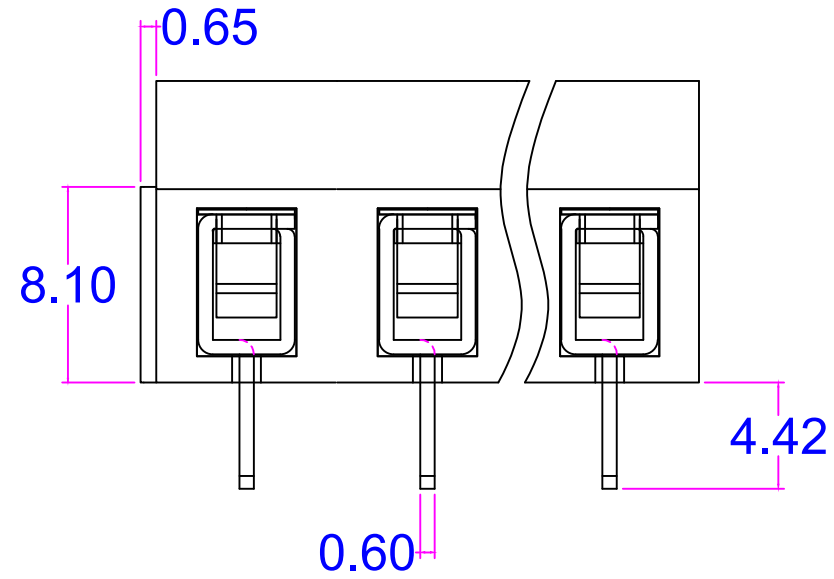
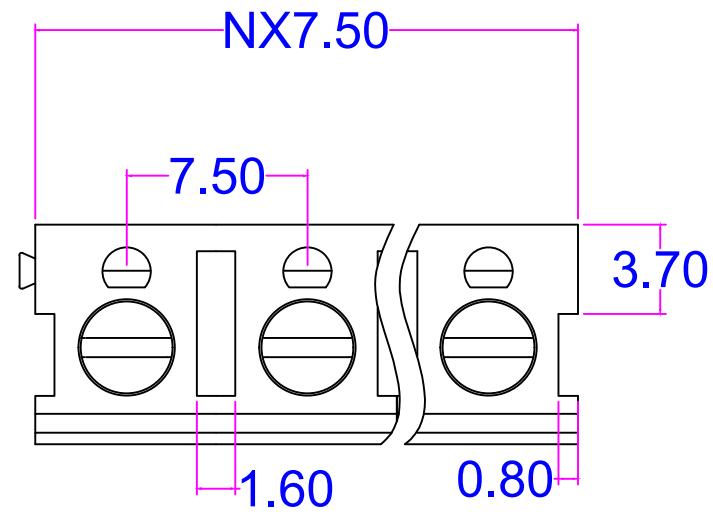


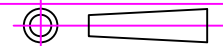


序号/RevNO	名称/Title	文件编号/FileNO
1	MG305-7.5塑件	
2	MG305-7.5一字螺丝	
3	MG305-7.5弹片	
4	MG305-7.5方针	



pitch range in mm			Nominal dimension range in mm					—
to	over	over	to	over	over	over	over	 
6	6 to 10	10 to 24	30	30 to 60	60 to 100	100 to 150	150 to	
±0.10	±0.15	±0.25	±0.20	±0.30	±0.50	±0.7	±1.0	0.05/10

Poles:2P/3P-24P
 Pitch:7.5mm
 Voltage Rating:300V
 Current Rating:10A
 Wire range:26-14AWG
 Housing:PA66(UL 94V-0)
 Wire guard:Phosphor bronze,Ni plated
 Pin header:Brass,Tin Plated
 Screw:M2.5,Steel(Q235),Zinc Plated
 Torque:0.4N.m

设计/Designed by.	绘图/Drawing by.	审核/Checked by.	批准/Approved by.	未注公差 General Tolerance	
图名/Title	文件编号/FileNO	慈溪市美感电子接插件厂 Cixi Meigan Electric Appliance Socket Factory		.x ± 0.3	x° ± 2°
MG305-7.5	页序/Sheet			.xx ± 0.15	.x° ± 1°
备注/Remark	视图/PROJECTION			单位/Units:mm	