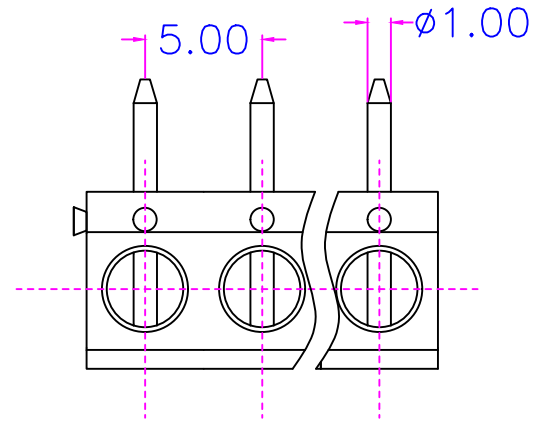
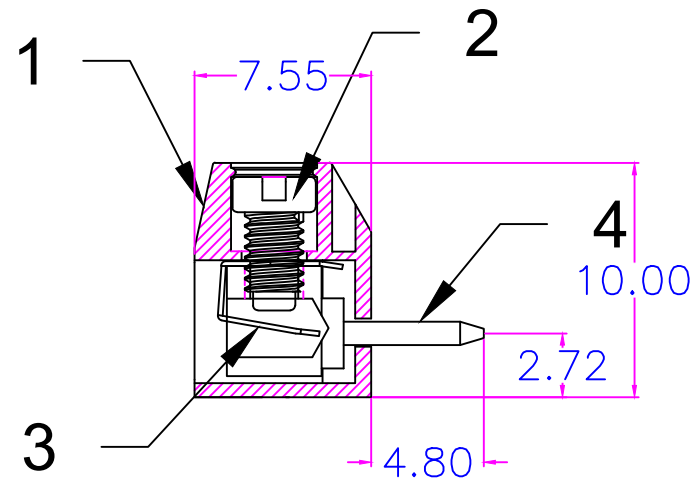
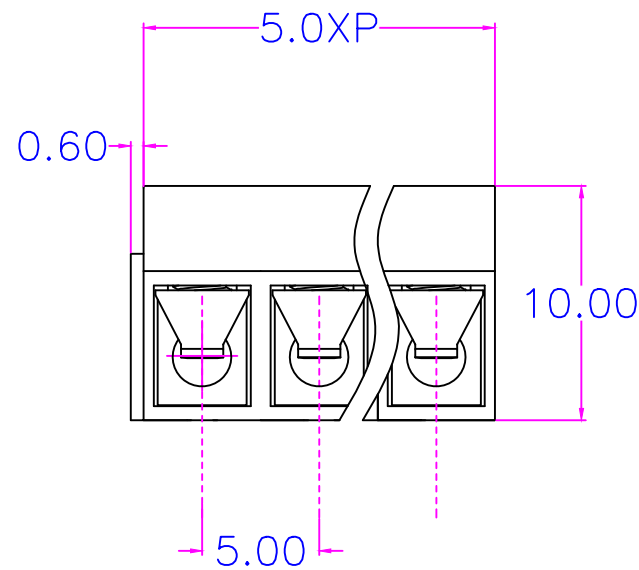


序号/RevNC	名称/Title	文件编号/FileNO
1	MG301R-5.0塑件	
2	MG301R-5.0一字螺丝	
3	MG301R-5.0弹片	
4	MG301R-5.0方针	



pitch range in mm			Nominal dimension range in mm					—
	over 6	over 10		over 30	over 60	over 100	over 150	⌒
to 6	to 10	to 24	to 30	to 60	to 100	to 150		▭
± 0.10	± 0.15	± 0.25	± 0.20	± 0.30	± 0.50	± 0.7	± 1.0	0.05/10



Poles:2P/3P-24P
 Pitch:5.0mm
 Voltage Rating:300V
 Current Rating:15A
 Wire range:26-14AWG
 Housing:PA66(UL 94V-0)
 Wire guard:Phosphor bronze,Ni plated
 Pin header:Brass,Tin Plated
 Screw:M2.5,Steel(Q235),Zinc Plated
 Torque:0.4N.m

设计/Designed by.	绘图/Drawing by.	审核/Checked by.	批准/Approved by.	未注公差 General Tolerance	
图名/Title	文件编号/FileNO	慈溪市美感电子接插件厂 Cixi Meigan Electric Appliance Socket Factory		.x ± 0.3	x° ± 2°
MG301R-5.0	页序/Sheet			.xx ± 0.15	.xx° ± 0.5°
备注/Remark	视图/PROJECTION			单位/Units:mm	