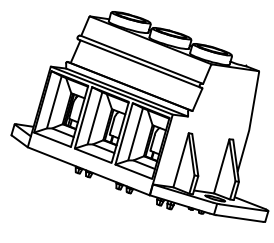
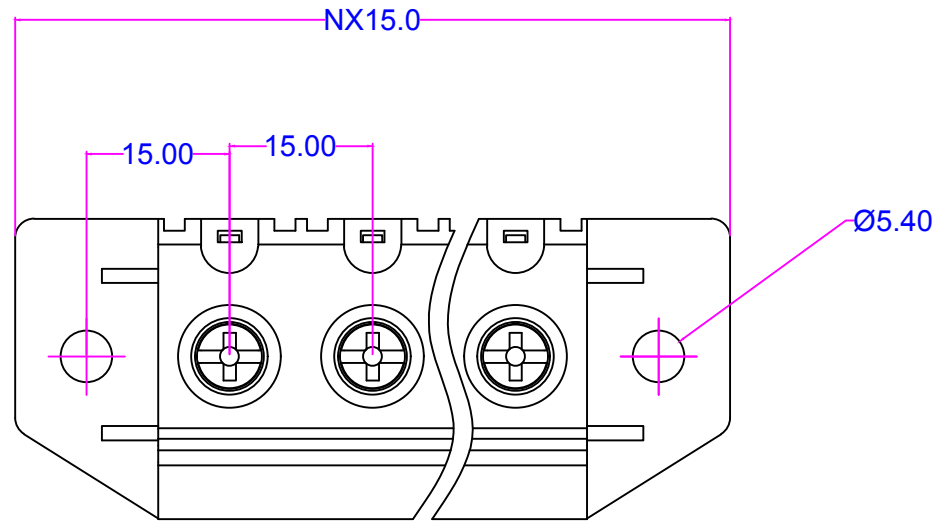


D1RFRD006



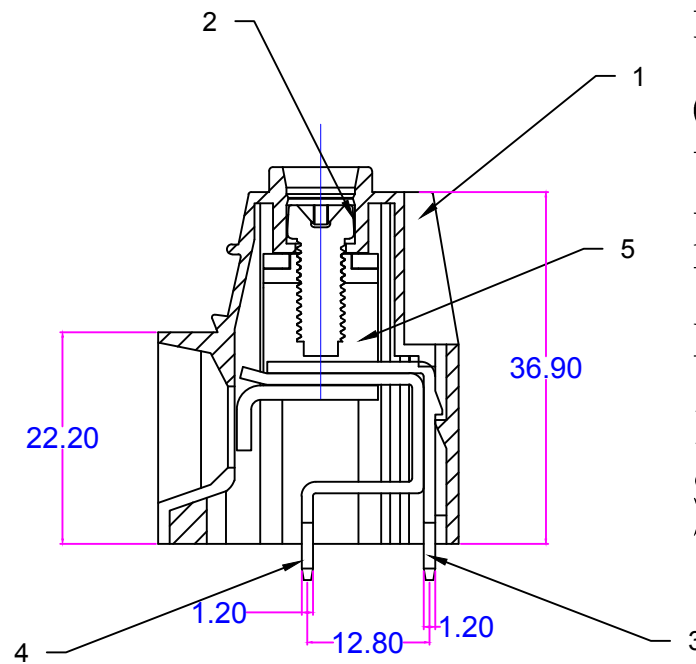
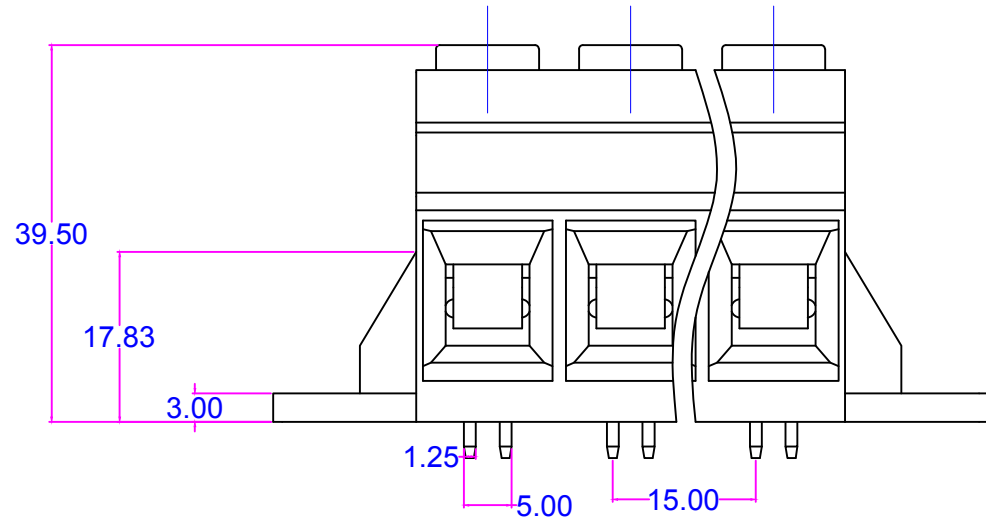
序号/RevNO	名称/Title	文件编号/FileNO
1	MG137TM-15.0塑件	
2	MG137TM-15.0十字螺丝	
3	MG137TM-15.0夹子1	
4	MG137TM-15.0夹子2	
5	MG137TM-15.0铁方块	



pitch range in mm		Nominal dimension range in mm						—
	over 6	over 10		over 30	over 60	over 100	over 150	⌒
to	to	to	to	to	to	to	to	▭
6	10	24	30	60	100	150		
± 0.10	± 0.15	± 0.25	± 0.20	± 0.30	± 0.50	± 0.7	± 1.0	0.05/10

Poles: 2P/3P-24P
 Pitch: 15.0mm
 Voltage Rating: 1000V
 Current Rating: 125A
 Wire range: 20-2AWG
 Housing: PA66(UL 94V-0)
 Wire cage: Steel .Zinc.Plated or Brass Ni Plated

Pin header: Brass, Tin Plated
 Screw: M5, Steel(Q235), Zinc Plated
 Torque: 2.0N.m



设计/Designed by.	绘图/Drawing by.	审核/Checked by.	批准/Approved by.	未注公差 General Tolerance	
					x° ± 2°
图名/Title	文件编号/FileNO	慈溪市美感电子接插件厂 Cixi Meigan Electric Appliance Socket Factory		.x ± 0.3	:x° ± 1°
MG137TM - 15.0	页序/Sheet			.xx ± 0.15	.xx° ± 0.5°
备注/Remark	视图/PROJECTION			单位/Units:mm	

8 | 7 | 6 | 5 | 4 | 3 | 2 | 1