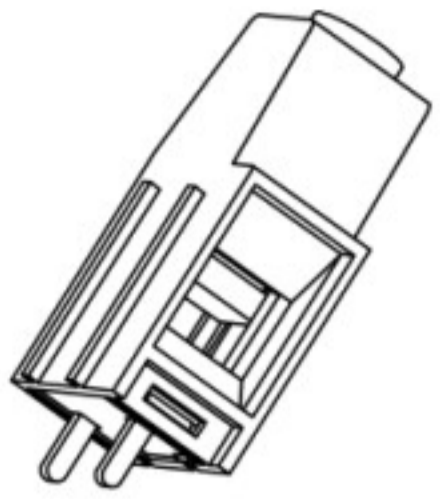
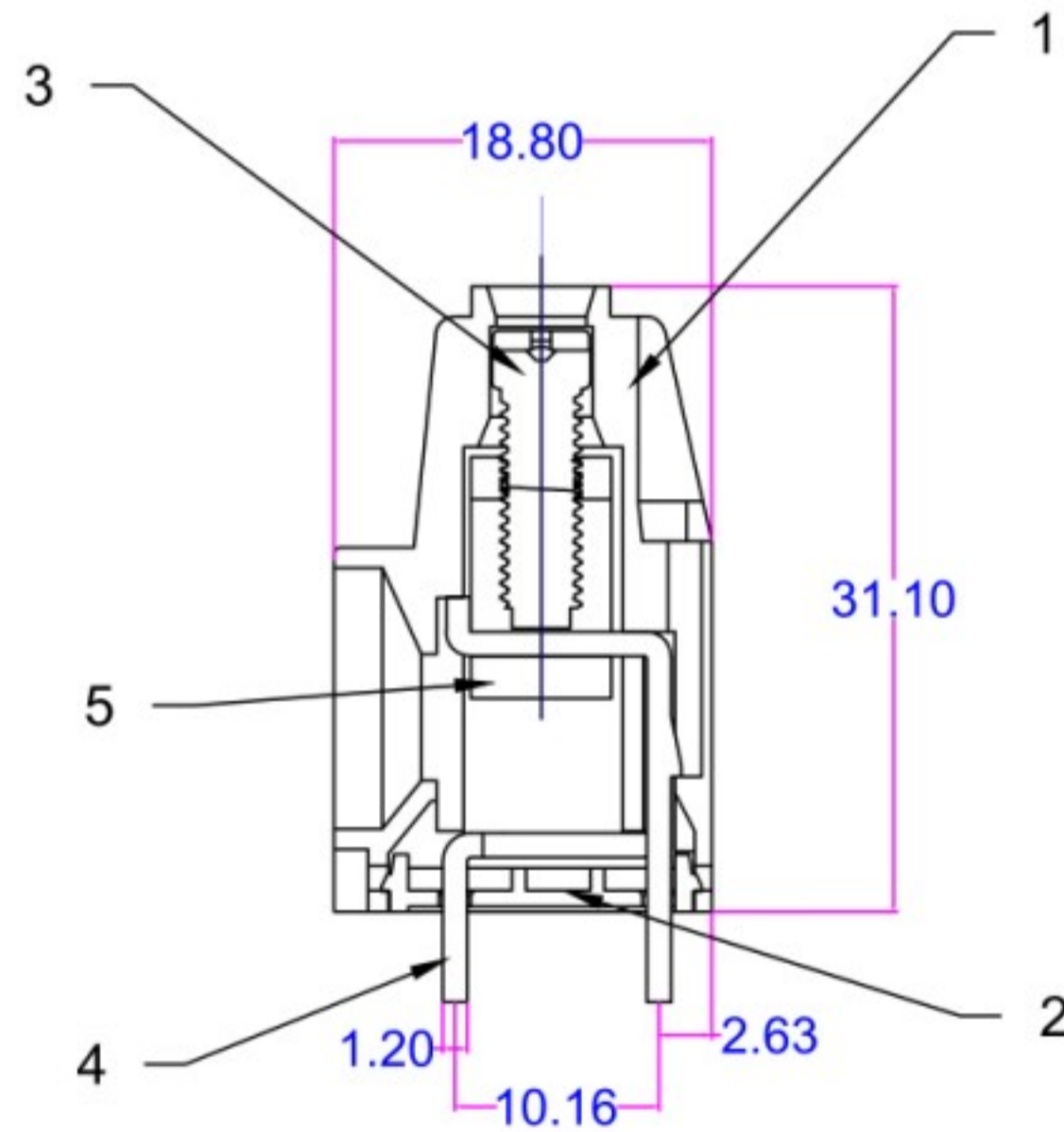
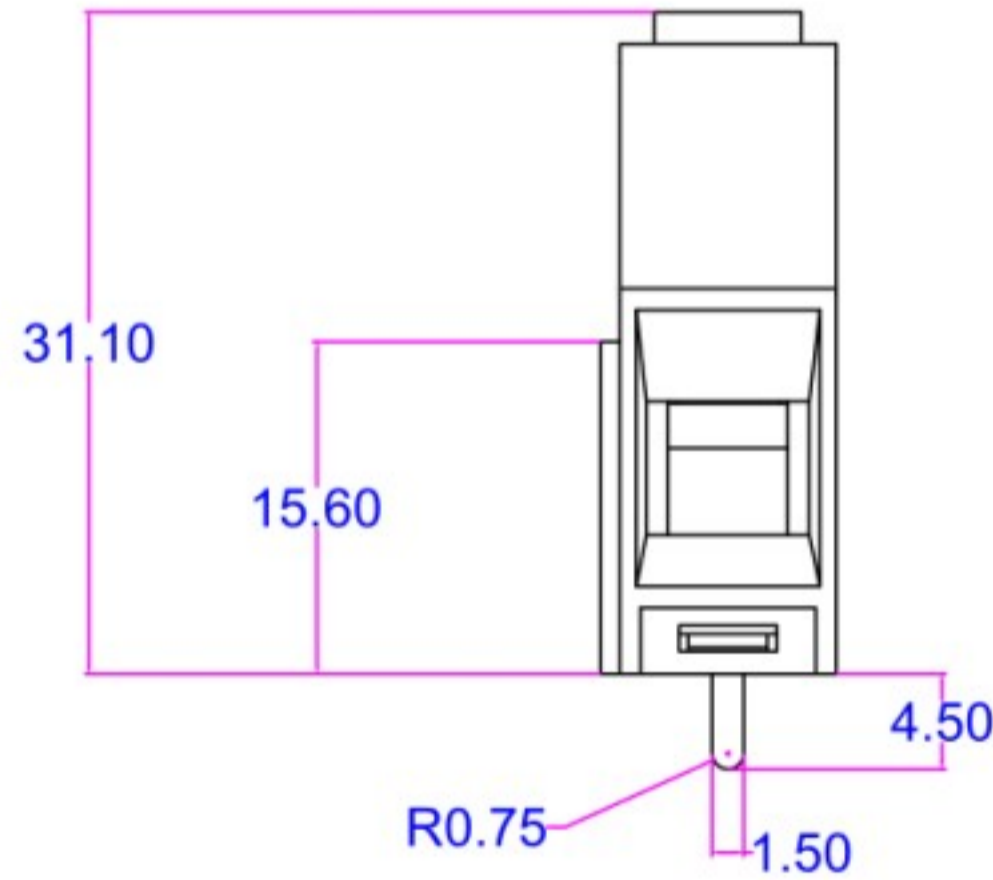
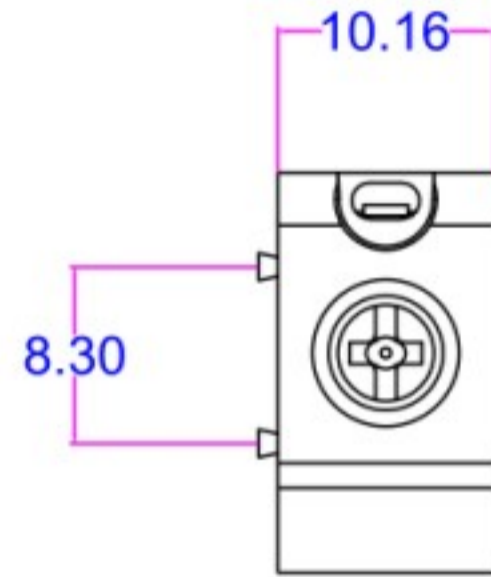


D1RFR0006



| 序号/RevNC | 名称/Title | 文件编号/FileNO |
|----------|-------------------|-------------|
| 1 | MG136HT-10.16塑件1 | |
| 2 | MG136HT-10.16塑件2 | |
| 3 | MG136HT-10.16十字螺丝 | |
| 4 | MG136HT-10.16夹子 | |
| 5 | MG136HT-10.16方块 | |



| pitch range in mm | | | Nominal dimension range in mm | | | | |
|-------------------|---------|----------|-------------------------------|----------|-----------|------------|---------|
| to | over | over | to | over | over | over | — |
| 6 | 6 to 10 | 10 to 24 | 30 | 30 to 60 | 60 to 100 | 100 to 150 | ⌒ |
| | ± 0.10 | ± 0.15 | ± 0.25 | ± 0.20 | ± 0.30 | ± 0.50 | ± 0.7 |
| | | | | | | | ± 1.0 |
| | | | | | | | 0.05/10 |

Poles:1P
 Pitch:10.16mm
 Voltage Rating:1000V
 Current Rating: 65A
 Wire range:20-6AWG
 Housing:PA66(UL 94V-0)
 Wire cage:Steel .Zinc.Plated or Brass
 Ni Plated
 Pin header:Brass,Tin Plated
 Screw:M4,Steel(Q235),Zinc Plated
 Torque:1.2N.m

| | | | | | |
|-----------------|----------------|--|-----------------|---------------------------|-------------|
| 设计/Designed by. | 绘图/Drawing by. | 审核/Checked by. | 批准/Approved by. | 未注公差 General Tolerance | |
| | | | | .x ± 0.3 | .x' ± 2' |
| 图名/Title | 文件编号/FileNO | 慈溪市美感电子接插件厂 Cixi Meigan Electric Appliance Socket Factory | | .x ± 0.15 | .x' ± 1' |
| MG136HT-10.16 | 页序/Sheet | | | .xx ± 0.5 | .xx' ± 0.5' |
| 备注/Remark | 视图/PROJECTION | | | 单位/Units:mm | |

8 | 7 | 6 | 5 | 4 | 3 | 2 | 1

H
G
F
E
D
C
B
A