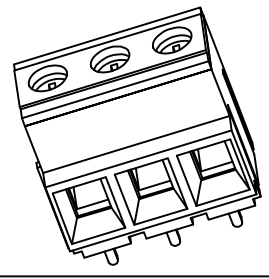
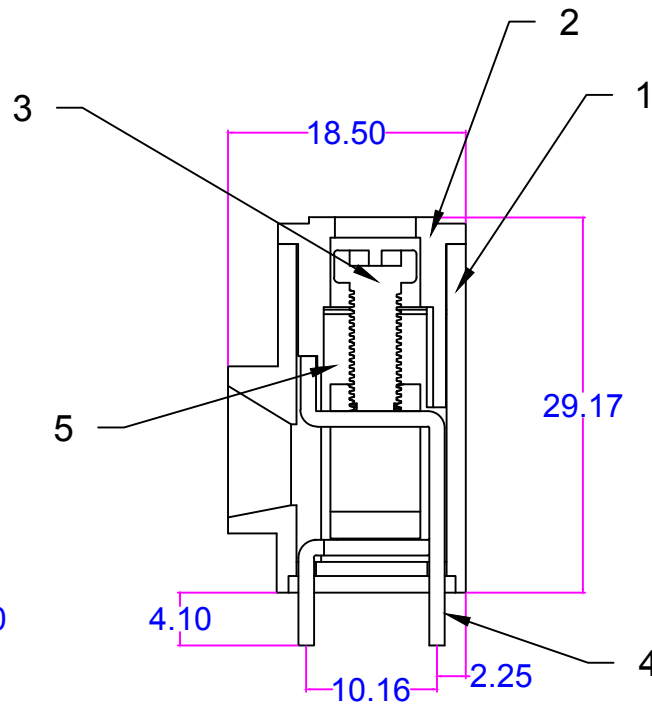
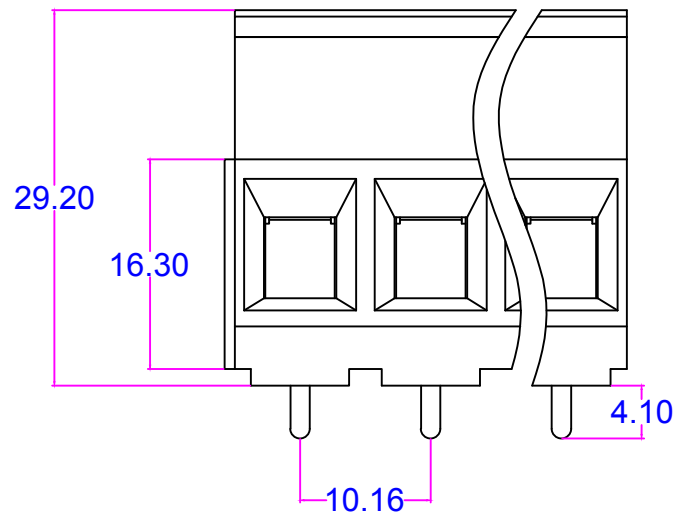
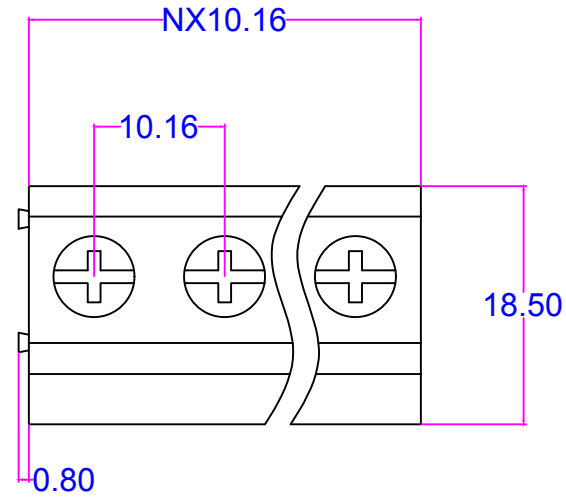


D1RFR006



序号/RevNO	名称/Title	文件编号/FileNO
1	MG135T-10.16塑件1	
2	MG135T-10.16塑件2	
3	MG135T-10.16十字螺丝	
4	MG135T-10.16夹子	
5	MG135T-10.16方块	



pitch range in mm		Nominal dimension range in mm						—
to	over	to	over	to	over	to	over	—
6	10	10	24	30	60	100	150	0.05/10
± 0.10	± 0.15	± 0.25	± 0.20	± 0.30	± 0.50	± 0.7	± 1.0	

Poles: 2P/3P-24P  
 Pitch: 10.16mm  
 Voltage Rating: 750V  
 Current Rating: 57A  
 Wire range: 20-8AWG  
 Housing: PA66(UL 94V-0)  
 Wire cage: Steel .Zinc.Plated or Brass Ni Plated  
 Pin header: Brass, Tin Plated  
 Screw: M4, Steel(Q235), Zinc Plated  
 Torque: 1.2N.m

设计/Designed by.	绘图/Drawing by.	审核/Checked by.	批准/Approved by.	未注公差 General Tolerance	
				.x ± 0.3	x' ± 2°
图名/Title	文件编号/FileNO	慈溪市美感电子接插件厂 Cixi Meigan Electric Appliance Socket Factory		.x' ± 1°	
MG135T-10.16	页序/Sheet			.xx ± 0.15	.xx' ± 0.5°
备注/Remark	视图/PROJECTION			单位/Units:mm	

8 | 7 | 6 | 5 | 4 | 3 | 2 | 1

H  
G  
F  
E  
D  
C  
B  
A