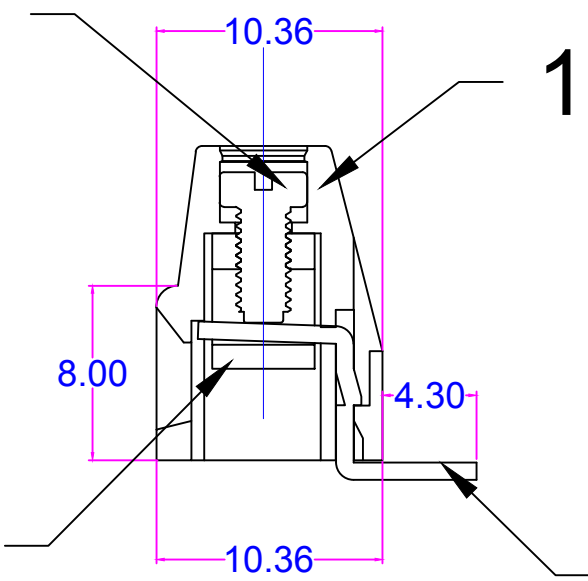
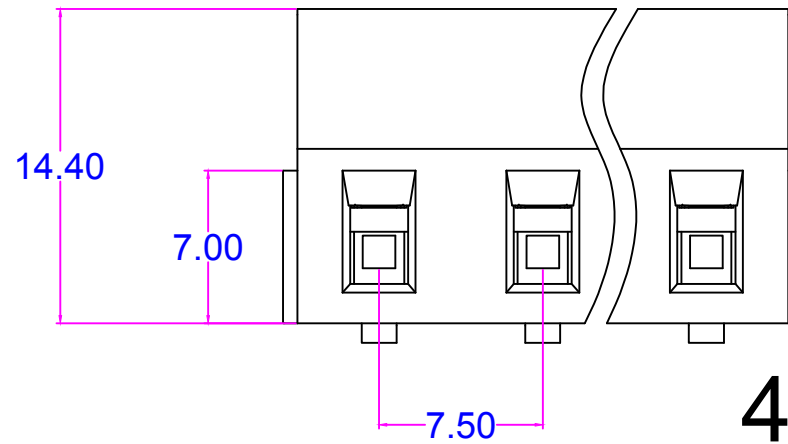
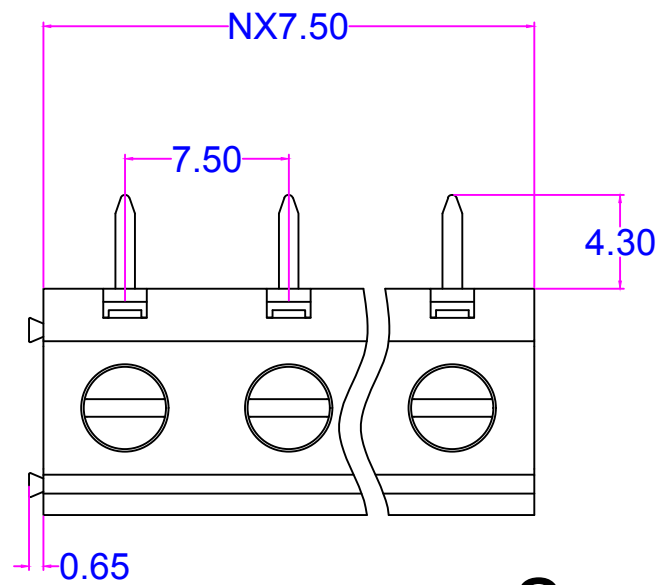
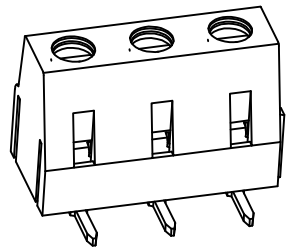


D1RFRD006



序号/RevNO	名称/Title	文件编号/FileNO
1	MG128R-7.5塑件	
2	MG128R-7.5一字螺丝	
3	MG128R-7.5夹子	
4	MG128R-7.5方块	

pitch range in mm			Nominal dimension range in mm					—
to	over	over	to	over	over	over	over	
6	10	24	30	60	100	150	150	
± 0.10	± 0.15	± 0.25	± 0.20	± 0.30	± 0.50	± 0.7	± 1.0	0.05/10

Poles: 2P/3P-24P
 Pitch: 7.50mm
 Voltage Rating: 300V
 Current Rating: 15A
 Wire range: 24-12AWG
 Housing: PA66(UL 94V-0)
 Wire cage: Steel .Zinc.Plated or Brass
 Ni Plated
 Pin header: Brass, Tin Plated
 Screw: M2.5, Steel(Q235), Zinc Plated
 Torque: 0.4N.m

设计/Designed by.	绘图/Drawing by.	审核/Checked by.	批准/Approved by.	未注公差 General Tolerance	
图名/Title		文件编号/FileNO		慈溪市美感电子接插件厂 Cixi Meigan Electric Appliance Socket Factory	.x ± 0.3 .x' ± 2° .xx ± 0.15 .xx' ± 1° .xx'' ± 0.5°
MG128R-7.5		页序/Sheet			
备注/Remark	视图/PROJECTION			单位/Units:mm	

8 | 7 | 6 | 5 | 4 | 3 | 2 | 1