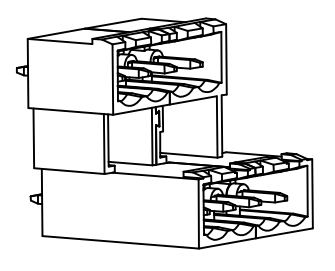
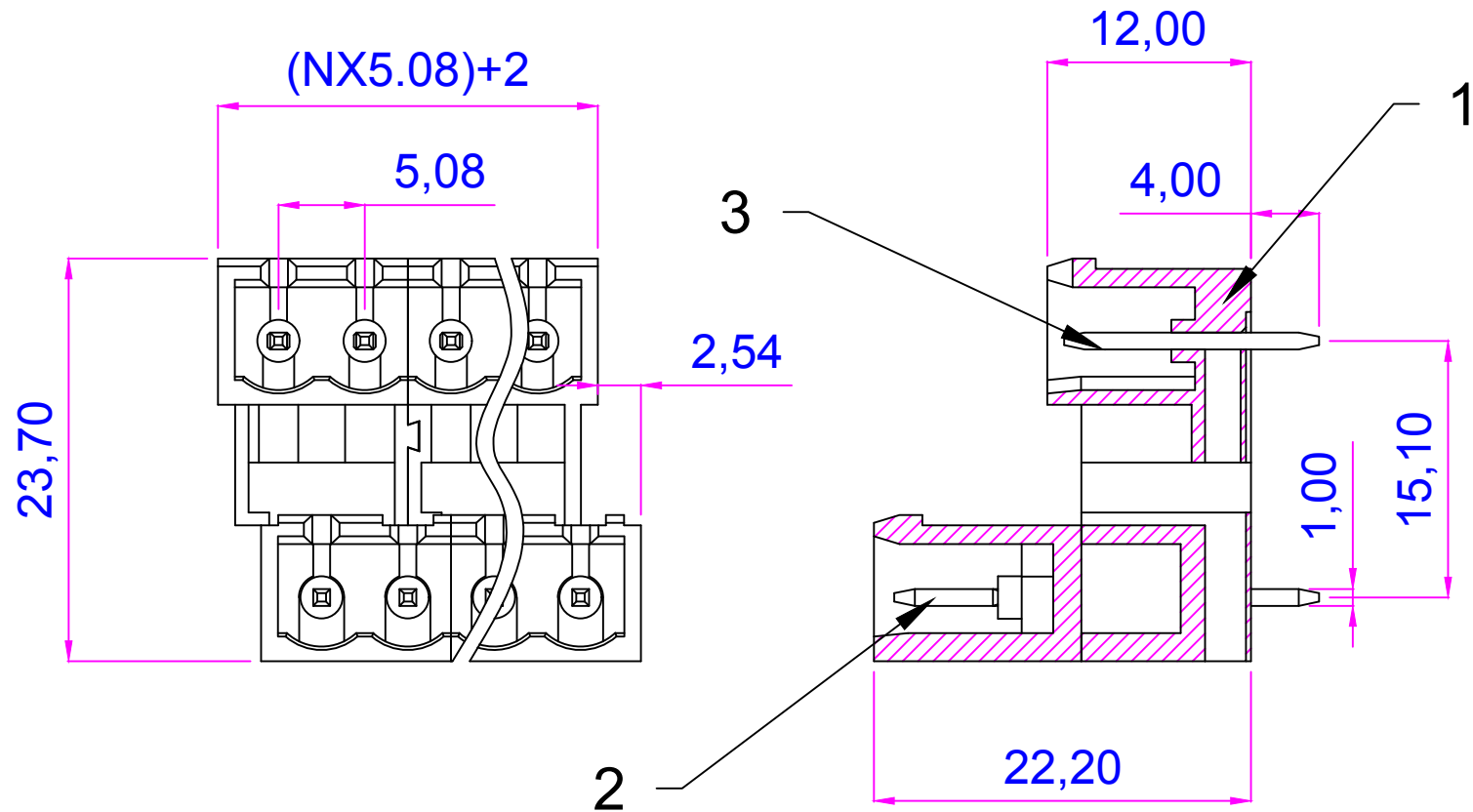


D1RFRD006



序号/RevNO	名称/Title	文件编号/FileNO
1	2EMGVTC-5.08 塑件	
2	2EMGVTC-5.08 焊针1	
3	2EMGVTC-5.08 焊针2	



pitch range in mm			Nominal dimension range in mm					—
to	over	over	to	over	over	over	over	⌒
6	6 to 10	10 to 24	30	30 to 60	60 to 100	100 to 150	150 to	□
	± 0.10	± 0.15	± 0.25	± 0.20	± 0.30	± 0.50	± 0.7	± 1.0
								0.05/10

Poles:4P-24P
 Pitch:5.08mm
 Voltage Rating:300V
 Current Rating:15A
 Housing:PA66(UL 94V-0)
 Pin header:Brass,Tin Plated

设计/Designed by.	绘图/Drawing by.	审核/Checked by.	批准/Approved by.	未注公差 General Tolerance	
图名/Title	文件编号/FileNO	慈溪市美感电子接插件厂 Cixi Meigan Electric Appliance Socket Factory		.X ± 0.3	.X° ± 1°
2EMGVTC -5.08	页序/Sheet			.XX ± 0.15	.XX° ± 0.5°
备注/Remark	视图/PROJECTION			单位/Units:mm	

序号/RevNO	更改记录/Revision note	签名/Signature	日期/Date
8			
7			
6			
5			
4			
3			
2			
1			