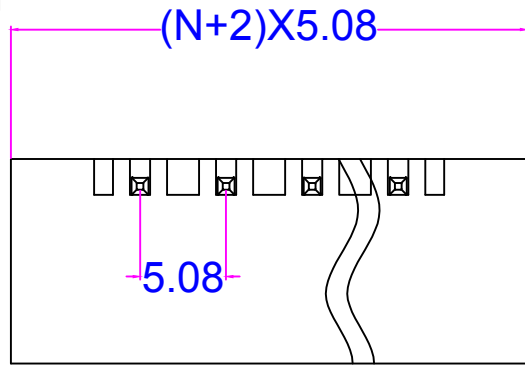
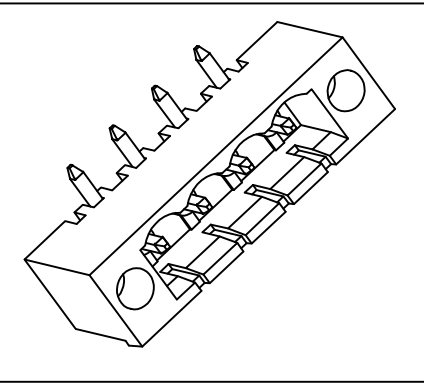
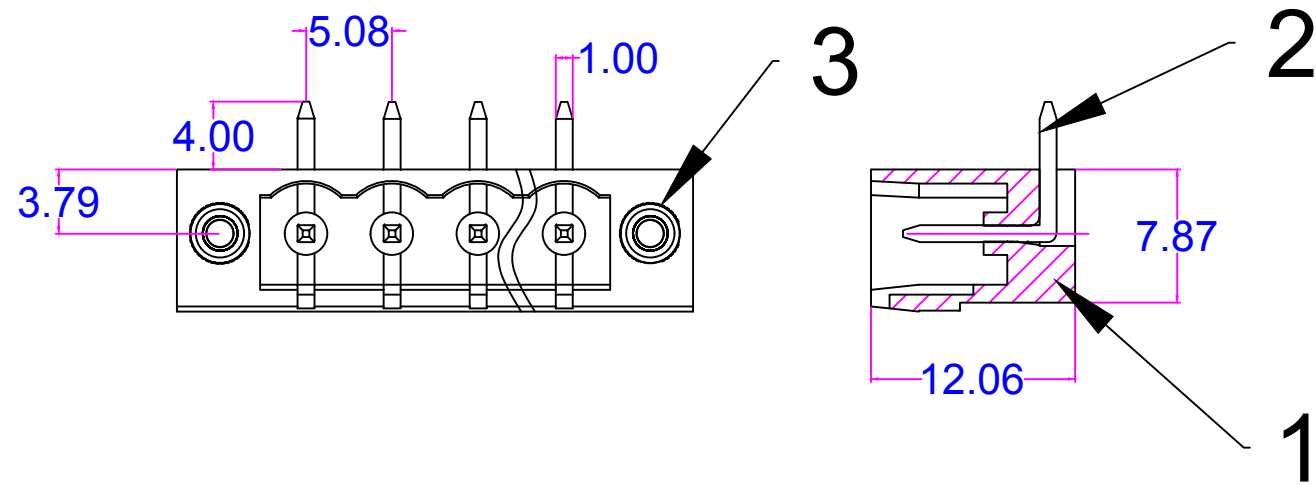


D1RFRD006

序号/RevNO	名称/Title	文件编号/FileNO
1	2EMGRM-5.08 塑件	
2	2EMGRM-5.08 焊针	
3	2EMGRM-5.08 螺帽	



pitch range in mm			Nominal dimension range in mm					—
to	over 6 to	over 10 to	to	over 30 to	over 60 to	over 100 to	over 150 to	⌒
6	10	24	30	60	100	150		▭
± 0.10	± 0.15	± 0.25	± 0.20	± 0.30	± 0.50	± 0.7	± 1.0	0.05/10



Poles:2P/3P-24P
 Pitch:5.08mm
 Voltage Rating:300V
 Current Rating:15A
 Housing:PA66(UL 94V-0)
 Pin header:Brass,Tin Plated

设计/Designed by.	绘图/Drawing by.	审核/Checked by.	批准/Approved by.	未注公差 General Tolerance	
				.x ± 0.3	x° ± 2°
图名/Title	文件编号/FileNO	慈溪市美感电子接插件厂 Cixi Meigan Electric Appliance Socket Factory		.x° ± 1°	.xx ± 0.5°
2EMGRM-5.08	页序/Sheet			.xx ± 0.15	
备注/Remark	视图/PROJECTION			单位/Units:mm	

序号/RevNO	更改记录/Revision note	签名/Signature	日期/Date
8			
7			
6			
5			
4			
3			
2			
1			