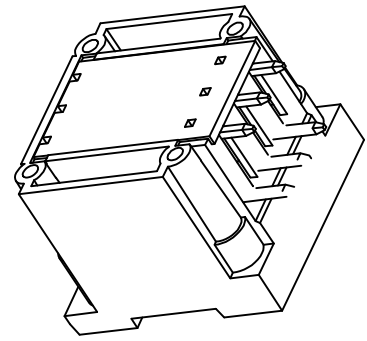
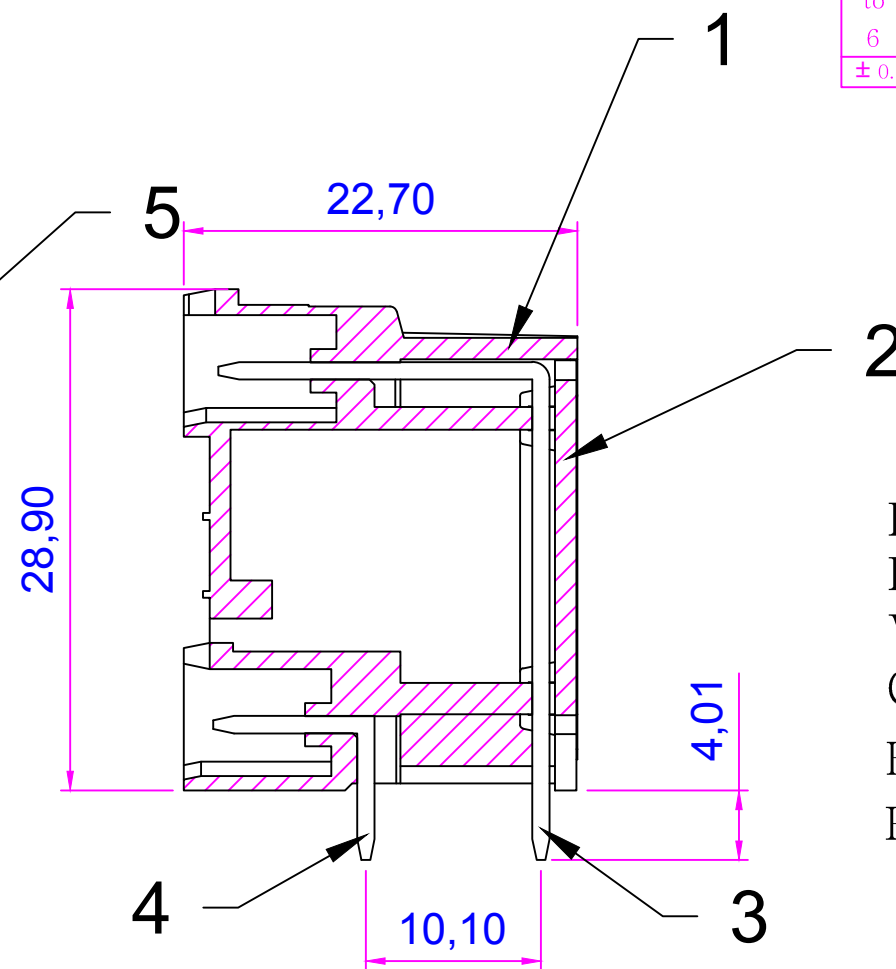
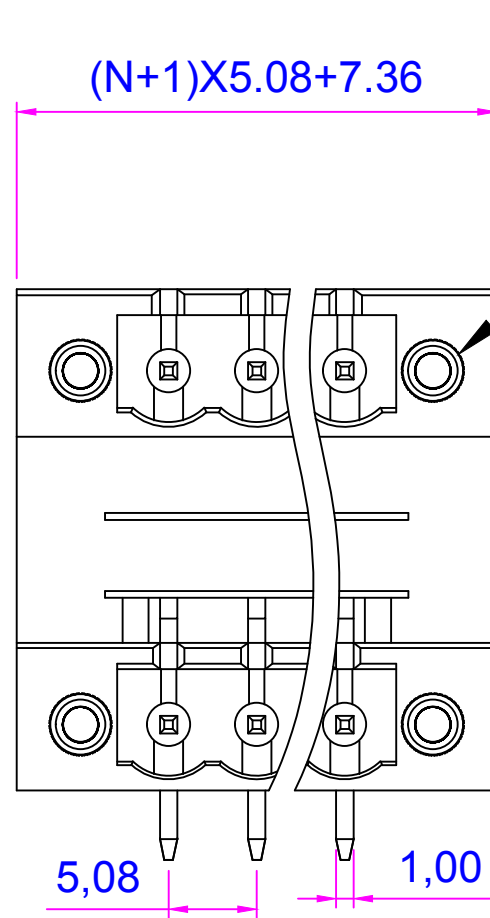


D1RFRD006



序号/RevNO	名称/Title	文件编号/FileNO
1	2EMGRHM-5.08 塑件1	
2	2EMGRHM-5.08 塑件2	
3	2EMGRHM-5.08 焊针1	
4	2EMGRHM-5.08 焊针2	
5	2EMGRHM-5.08 螺帽	

pitch range in mm			Nominal dimension range in mm					—
to	over	over	to	over	over	over	over	—
6	6 to 10	10 to 24	30	30 to 60	60 to 100	100 to 150	150	∩
	± 0.10	± 0.15	± 0.25	± 0.20	± 0.30	± 0.50	± 0.7	□



Poles: 2P/3P-24P  
 Pitch: 5.08mm  
 Voltage Rating: 300V  
 Current Rating: 15A  
 Housing: PA66(UL 94V-0)  
 Pin header: Brass, Tin Plated

设计/Designed by.	绘图/Drawing by.	审核/Checked by.	批准/Approved by.	未注公差 General Tolerance	
图名/Title	文件编号/FileNO	慈溪市美感电子接插件厂 Cixi Meigan Electric Appliance Socket Factory		.X ± 0.3	X° ± 2°
2EMGRHM-5.08	页序/Sheet			.XX ± 0.15	.XX° ± 0.5°
备注/Remark	视图/PROJECTION			单位/Units:mm	

序号/RevNO	更改记录/Revision note	签名/Signature	日期/Date
8			
7			
6			
5			
4			
3			
2			
1			