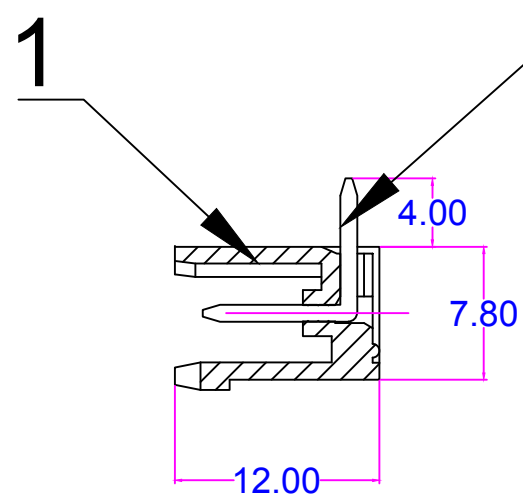
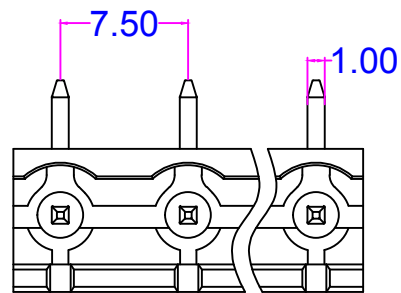
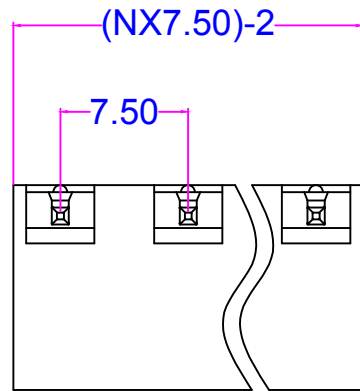


序号/RevNO	名称/Title	文件编号/FileNO
1	2EMGR-7.5 塑件	
2	2EMGR-7.5焊针	



pitch range in mm			Nominal dimension range in mm					—
	over 6 to 10	over 10 to 24	to 30	over 30 to 60	over 60 to 100	over 100 to 150	over 150 to	∩
to 6	± 0.10	± 0.15	± 0.25	± 0.20	± 0.30	± 0.50	± 0.7	□
							± 1.0	0.05/10

Poles:2P/3P-24P
 Pitch:7.5mm
 Voltage Rating:300V
 Current Rating:15A
 Housing:PA66(UL 94V-0)
 Pin header:Brass,Tin Plated

设计/Designed by.	绘图/Drawing by.	审核/Checked by.	批准/Approved by.	未注公差 General Tolerance	
				.x ± 0.3	.x° ± 2°
图名/Title	文件编号/FileNO	慈溪市美感电子接插件厂 Cixi Meigan Electric Appliance Socket Factory			
2EMGR-7.5	页序/Sheet			.xx ± 0.15	.xx° ± 0.5°
备注/Remark	视图/PROJECTION			单位/Units:mm	

序号/RevNO	更改记录/Revision note	签名/Signature	日期/Date
8			
7			
6			
5			
4			
3			
2			
1			