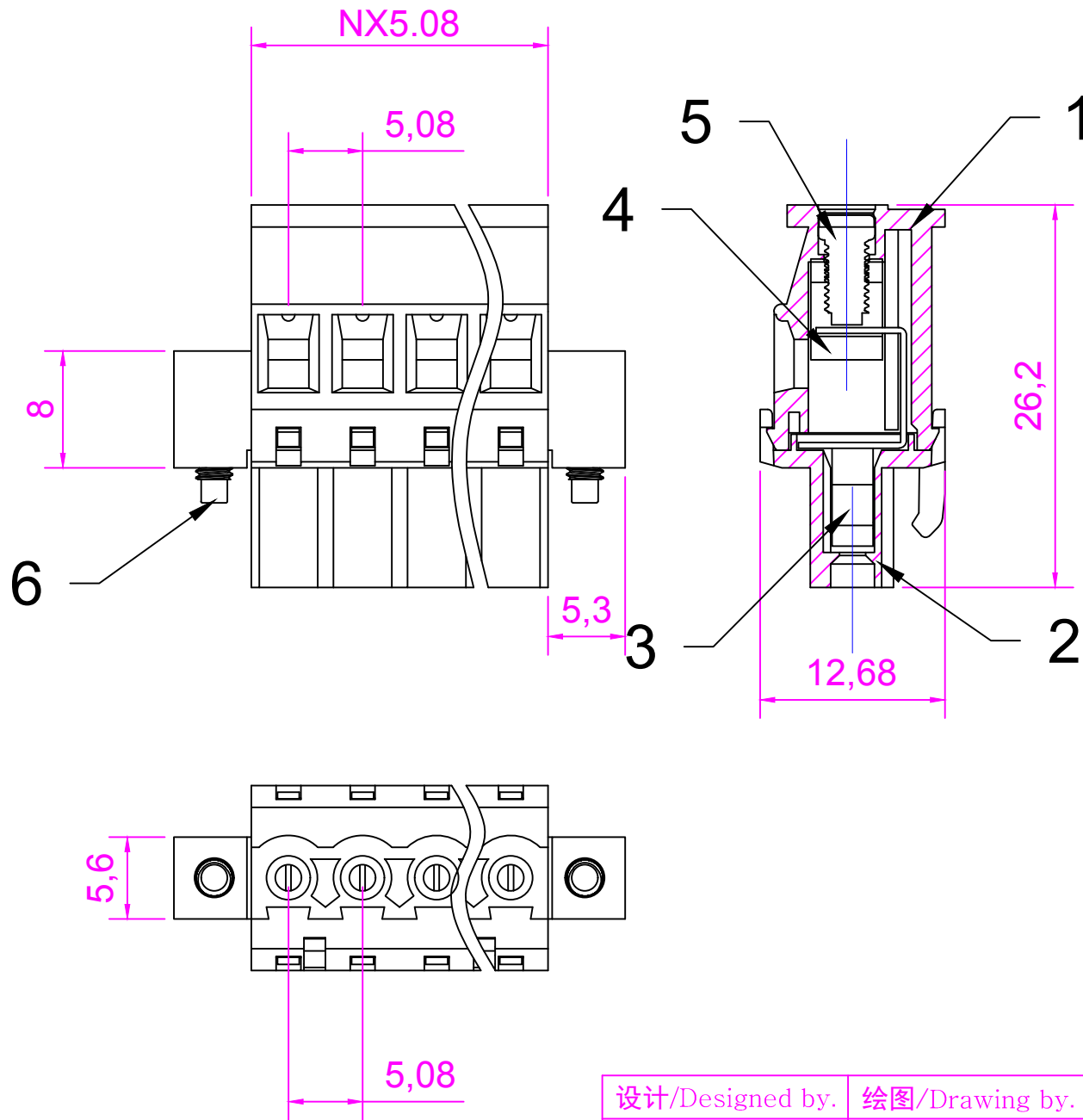
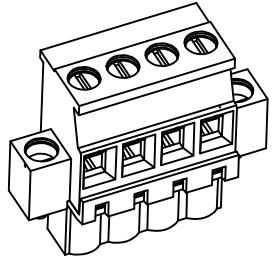


D1RFRD006



序号/RevNO	名称/Title	文件编号/FileNO
1	2EMGKBM-5.08塑料1	
2	2EMGKBM-5.08 塑料2	
3	2EMGKBM-5.08夹子	
4	2EMGKBM-5.08方扣	
5	2EMGKBM-5.08一字螺丝1	
6	2EMGKBM-5.08一字螺丝2	

pitch range in mm		Nominal dimension range in mm						—
to	over	over	to	over	over	over	over	
6	10	10	30	60	100	150	150	
± 0.10	± 0.15	± 0.25	± 0.20	± 0.30	± 0.50	± 0.7	± 1.0	0.05/10

Poles:2P/3P-24P
 Pitch:5.08mm
 Voltage Rating:300V
 Current Rating:15A
 Wire range:28-12AWG
 Housing:PA66(UL 94V-0)
 Wire guard:Phosphor bronze,Ni plated
 Pin header:Brass,Tin Plated
 Screw:M3,Steel(Q235),Zinc Plated
 Torque:0.5N.m

设计/Designed by.	绘图/Drawing by.	审核/Checked by.	批准/Approved by.	未注公差 General Tolerance
图名/Title	文件编号/FileNO	慈溪市美感电子接插件厂 Cixi Meigan Electric Appliance Socket Factory		$x^{\circ} \pm 2^{\circ}$
2EMGKBM-5.08	页序/Sheet			$.x \pm 0.3$
备注/Remark	视图/PROJECTION			$.xx \pm 0.15$
				$.xx^{\circ} \pm 0.5^{\circ}$
				单位/Units:mm

序号/RevNO	更改记录/Revision note	签名/Signature	日期/Date
8			
7			
6			
5			
4			
3			
2			
1			