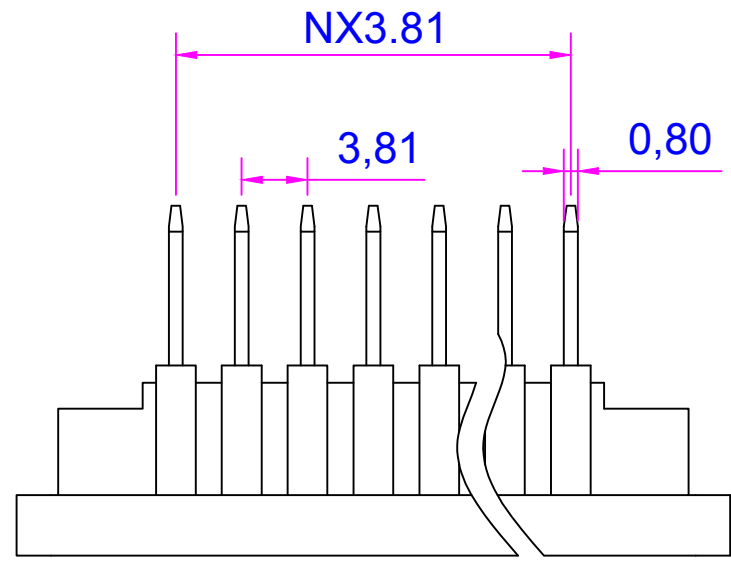
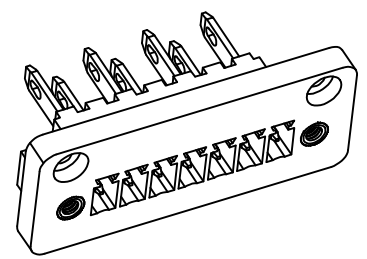
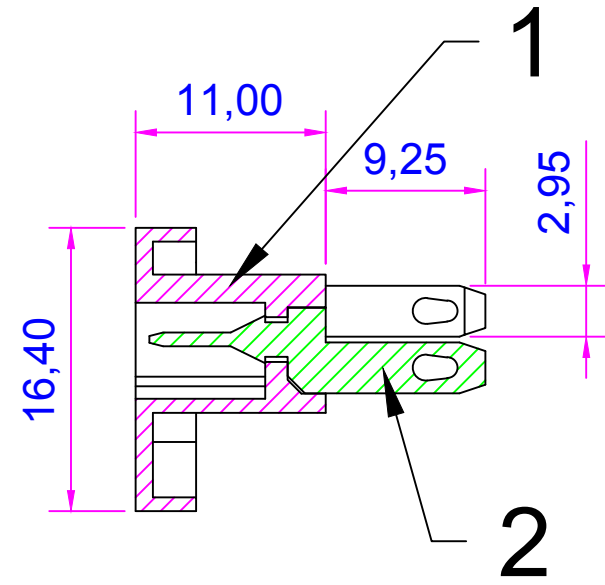
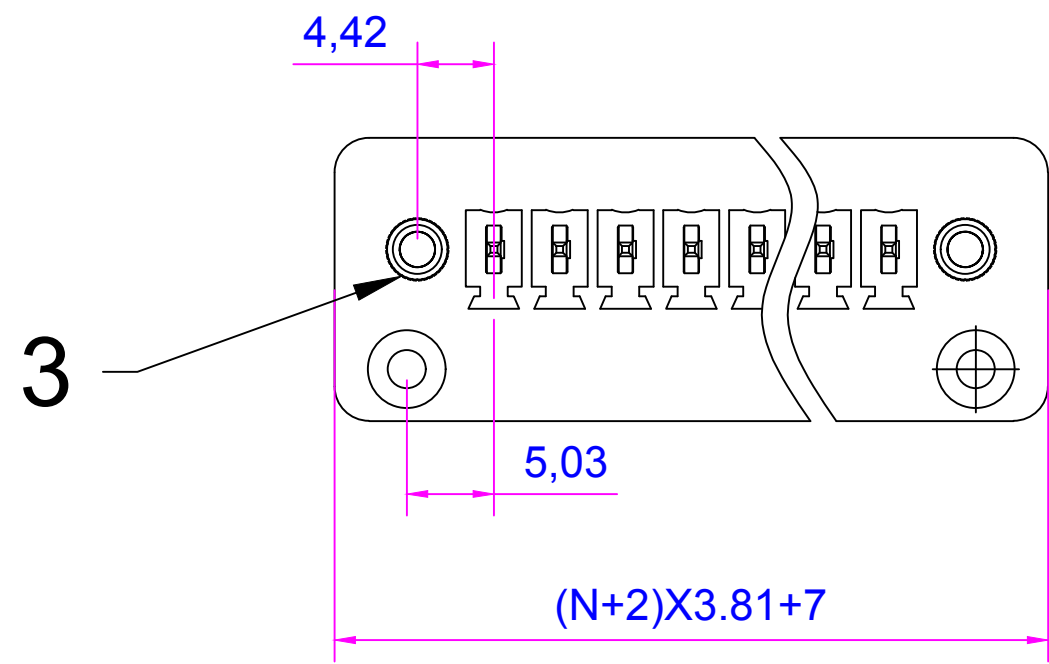


序号/RevNO	名称/Title	文件编号/FileNO
1	15EMGWB-3.81 塑件	
2	15EMGWB-3.81 焊针	
3	15EMGWB-3.81 螺帽	



pitch range in mm			Nominal dimension range in mm					
	over 6 to 6	over 10 to 24	over 30 to 30	over 30 to 60	over 60 to 100	over 100 to 150	over 150 to 150	—
	± 0.10	± 0.15	± 0.25	± 0.20	± 0.30	± 0.50	± 0.7	± 1.0



Poles: 2P/3P-24P
 Pitch: 3.81mm
 Voltage Rating: 300V
 Current Rating: 8A
 Housing: PA66(UL 94V-0)
 Pin header: Brass, Tin Plated

设计/Designed by.	绘图/Drawing by.	审核/Checked by.	批准/Approved by.	未注公差 General Tolerance	
图名/Title	文件编号/FileNO	慈溪市美感电子接插件厂 Cixi Meigan Electric Appliance Socket Factory		.x ± 0.3	x° ± 2°
15EMGWB-3.81	页序/Sheet			.xx ± 0.15	.xx° ± 0.5°
备注/Remark	视图/PROJECTION			单位/Units: mm	

序号/RevNO	更改记录/Revision note	签名/Signature	日期/Date
8			
7			
6			
5			
4			
3			
2			
1			