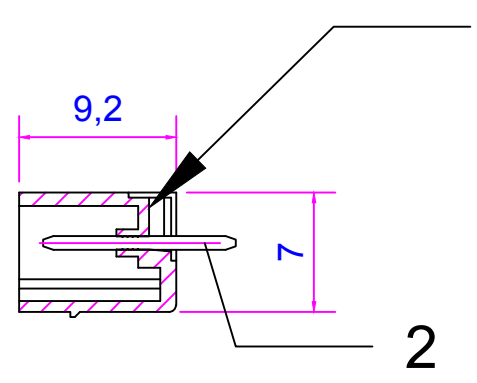
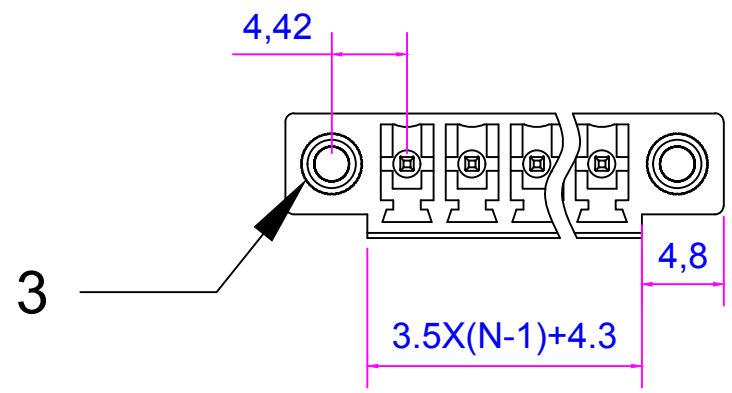
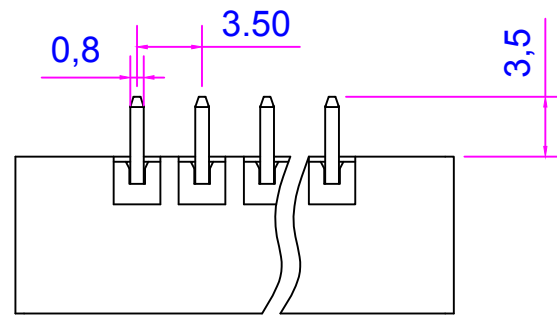


D1RFRD006

序号/RevNO	名称/Title	文件编号/FileNO
1	15EMGVM-3.5 塑件	
2	15EMGVM-3.5焊针	
3	15EMGVM-3.5 螺帽	

pitch range in mm			Nominal dimension range in mm					—
	over 6	over 10		over 30	over 60	over 100	over 150	⌒
to	to 10	to 24	to 30	to 60	to 100	to 150		▭
	± 0.10	± 0.15	± 0.25	± 0.20	± 0.30	± 0.50	± 0.7	± 1.0



1
Poles:2P/3P-24P
Pitch:3.5mm
Voltage Rating:300V
Current Rating:8A
Housing:PA66(UL 94V-0)
Pin header:Brass,Tin Plated

设计/Designed by.	绘图/Drawing by.	审核/Checked by.	批准/Approved by.	未注公差 General Tolerance	
图名/Title	文件编号/FileNO	慈溪市美感电子接插件厂 Cixi Meigan Electric Appliance Socket Factory		.x ± 0.3	x' ± 2°
15EMGVM -3.50	页序/Sheet			.xx ± 0.15	.xx' ± 0.5°
备注/Remark	视图/PROJECTION			单位/Units:mm	

序号/RevNO	更改记录/Revision note	签名/Signature	日期/Date
8			
7			
6			
5			
4			
3			
2			
1			