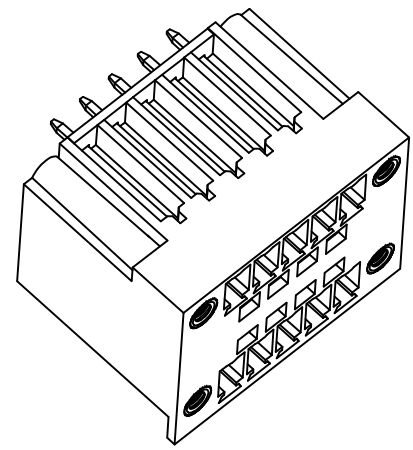
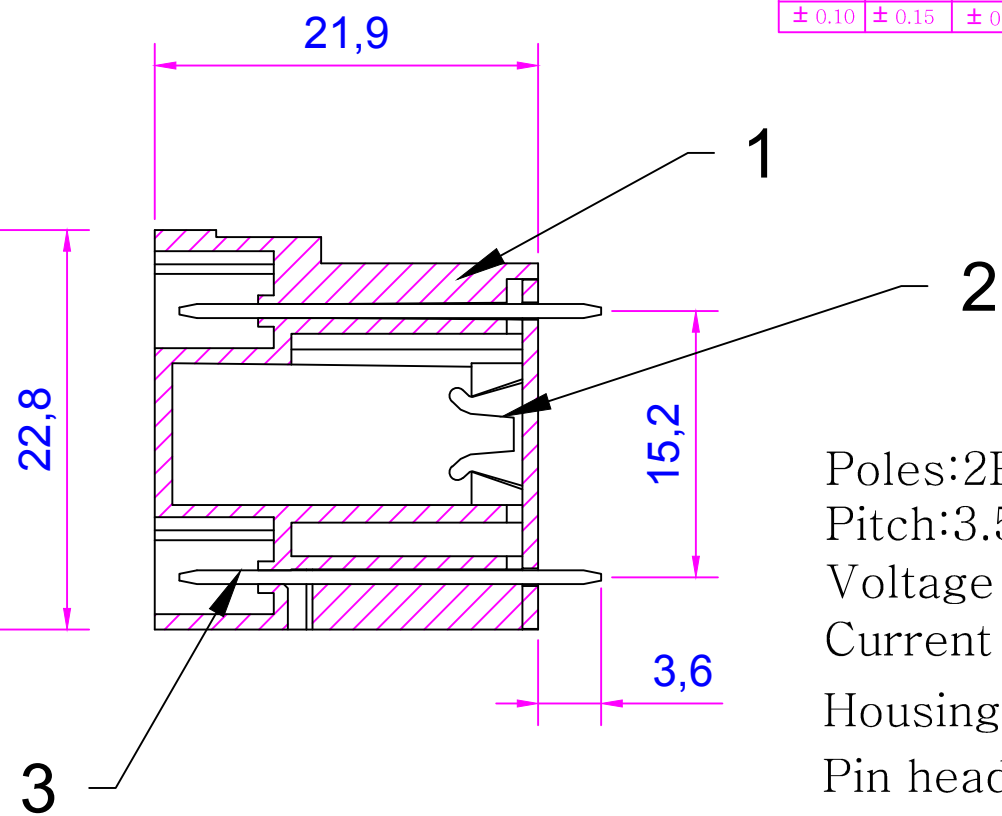
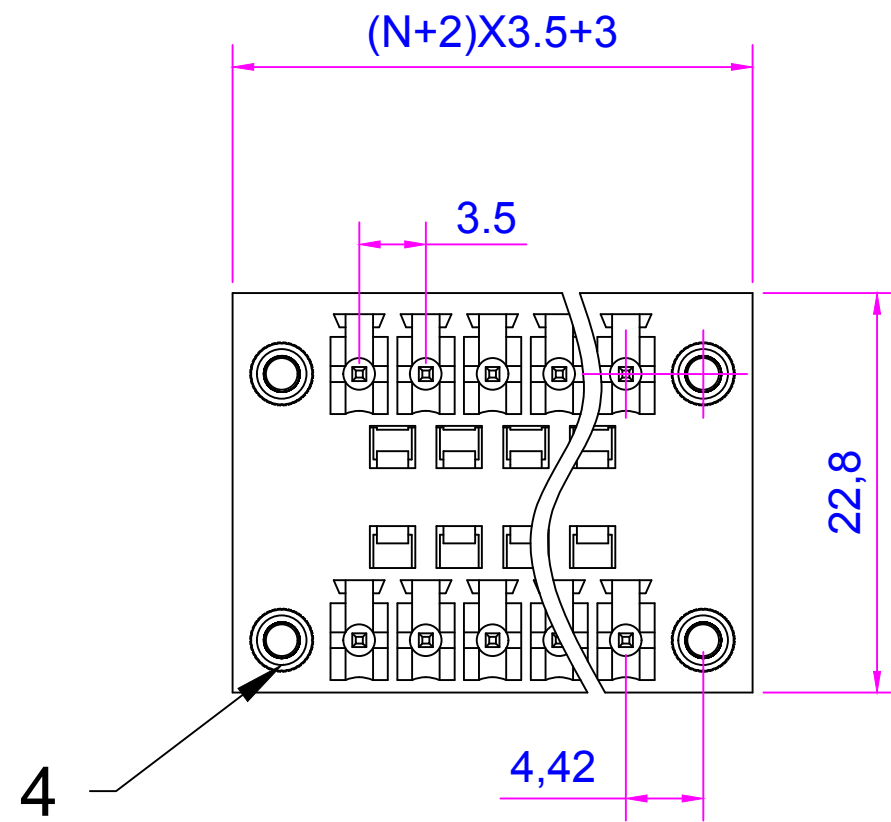


D1RFR006



序号/RevNO	名称/Title	文件编号/FileNO
1	15EMGVHM-3.5 塑件1	
2	15EMGVHM-3.5 塑件2	
3	15EMGVHM-3.5 焊针	
4	15EMGVHM-3.5 螺帽	

pitch range in mm			Nominal dimension range in mm					—
to	over	over	to	over	over	over	over	—
6	6 to 10	10 to 24	30	30 to 60	60 to 100	100 to 150	150	0.05/10
	± 0.10	± 0.15	± 0.25	± 0.20	± 0.30	± 0.50	± 0.7	± 1.0



Poles: 2P/3P-24P
 Pitch: 3.5mm
 Voltage Rating: 300V
 Current Rating: 8A
 Housing: PA66(UL 94V-0)
 Pin header: Brass, Tin Plated

设计/Designed by.	绘图/Drawing by.	审核/Checked by.	批准/Approved by.	未注公差 General Tolerance	
图名/Title	文件编号/FileNO	慈溪市美感电子接插件厂 Cixi Meigan Electric Appliance Socket Factory		.x ± 0.3	x° ± 2°
15EMGVHM-3.5	页序/Sheet			.xx ± 0.15	.xx° ± 0.5°
备注/Remark	视图/PROJECTION			单位/Units:mm	

序号/RevNO	更改记录/Revision note	签名/Signature	日期/Date
----------	--------------------	--------------	---------

8 | 7 | 6 | 5 | 4 | 3 | 2 | 1