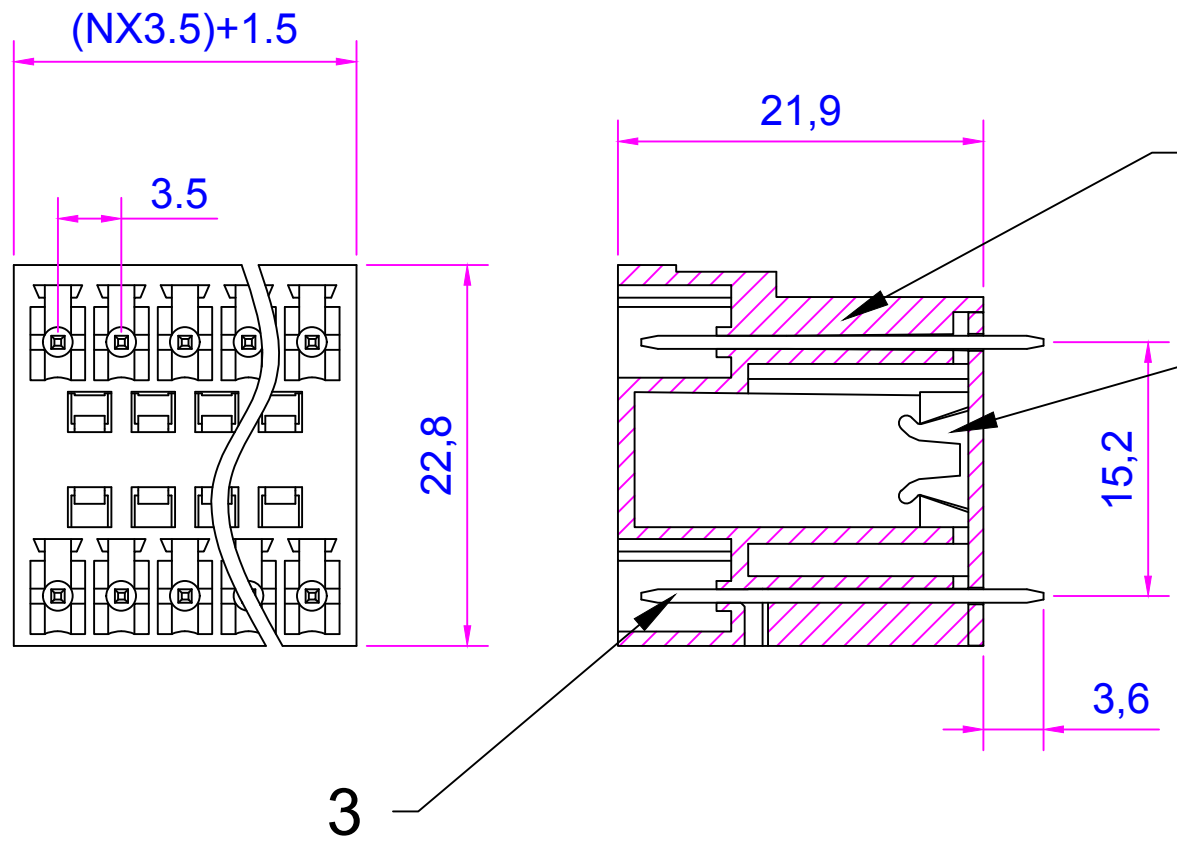


D1RFRD006

序号/RevNO	名称/Title	文件编号/FileNO
1	15EMGVH-3.5 塑件1	
2	15EMGVH-3.5 塑件2	
3	15EMGVH-3.5 焊针	

pitch range in mm			Nominal dimension range in mm					
to	over	over	to	over	over	over	over	
6	10	24	30	60	100	150		—
±0.10	±0.15	±0.25	±0.20	±0.30	±0.50	±0.7	±1.0	0.05/10



Poles:2P/3P-24P  
 Pitch:3.5mm  
 Voltage Rating:300V  
 Current Rating:8A  
 Housing:PA66(UL 94V-0)  
 Pin header:Brass,Tin Plated

设计/Designed by.	绘图/Drawing by.	审核/Checked by.	批准/Approved by.	未注公差 General Tolerance	
图名/Title	文件编号/FileNO	慈溪市美感电子接插件厂 Cixi Meigan Electric Appliance Socket Factory		.x ± 0.3	.x' ± 2'
15EMGVH -3.5	页序/Sheet			.xx ± 0.15	.xx' ± 0.5'
备注/Remark	视图/PROJECTION			单位/Units:mm	

序号/RevNO	更改记录/Revision note	签名/Signature	日期/Date
8			
7			
6			
5			
4			
3			
2			
1			