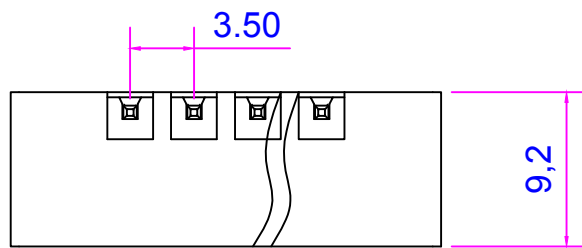
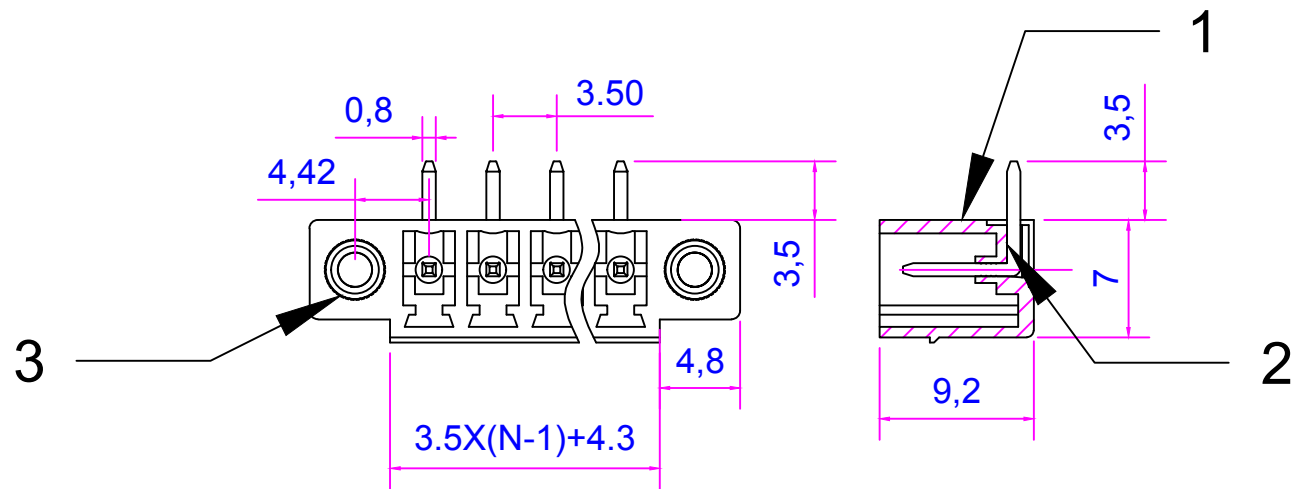


序号/RevNO	名称/Title	文件编号/FileNO
1	15EMGRM-3.5塑件	
2	15EMGRM-3.5 焊针	
3	15EMGRM-3.5螺帽	



pitch range in mm			Nominal dimension range in mm					—
to	over	over	to	over	over	over	over	⌒ □
6	6	10	30	30	60	100	150	
± 0.10	± 0.15	± 0.25	± 0.20	± 0.30	± 0.50	± 0.7	± 1.0	0.05/10



Poles:2P/3P-24P
 Pitch:3.5mm
 Voltage Rating:300V
 Current Rating:8A
 Housing:PA66(UL 94V-0)
 Pin header:Brass,Tin Plated

设计/Designed by.	绘图/Drawing by.	审核/Checked by.	批准/Approved by.	未注公差 General Tolerance	
图名/Title	文件编号/FileNO	慈溪市美感电子接插件厂 Cixi Meigan Electric Appliance Socket Factory		.X ± 0.3	X' ± 2'
15EMGRM -3.50	页序/Sheet			.XX ± 0.15	.XX' ± 0.5'
备注/Remark	视图/PROJECTION			单位/Units:mm	

序号/RevNO	更改记录/Revision note	签名/Signature	日期/Date
8			
7			
6			
5			
4			
3			
2			
1			