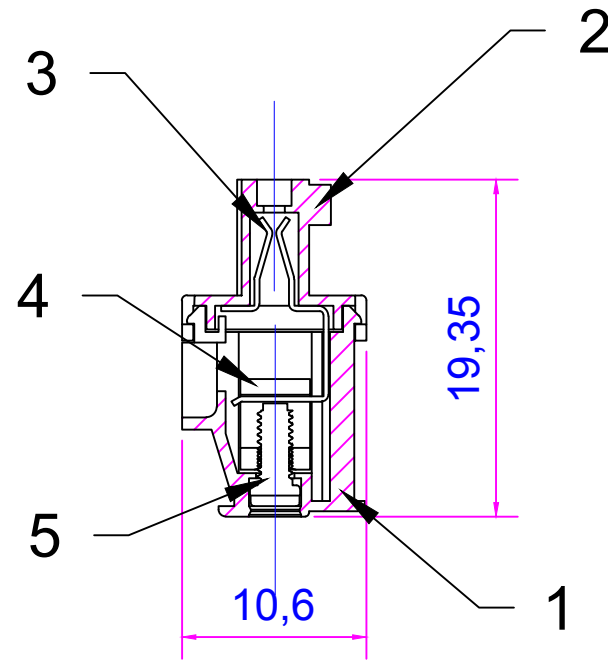
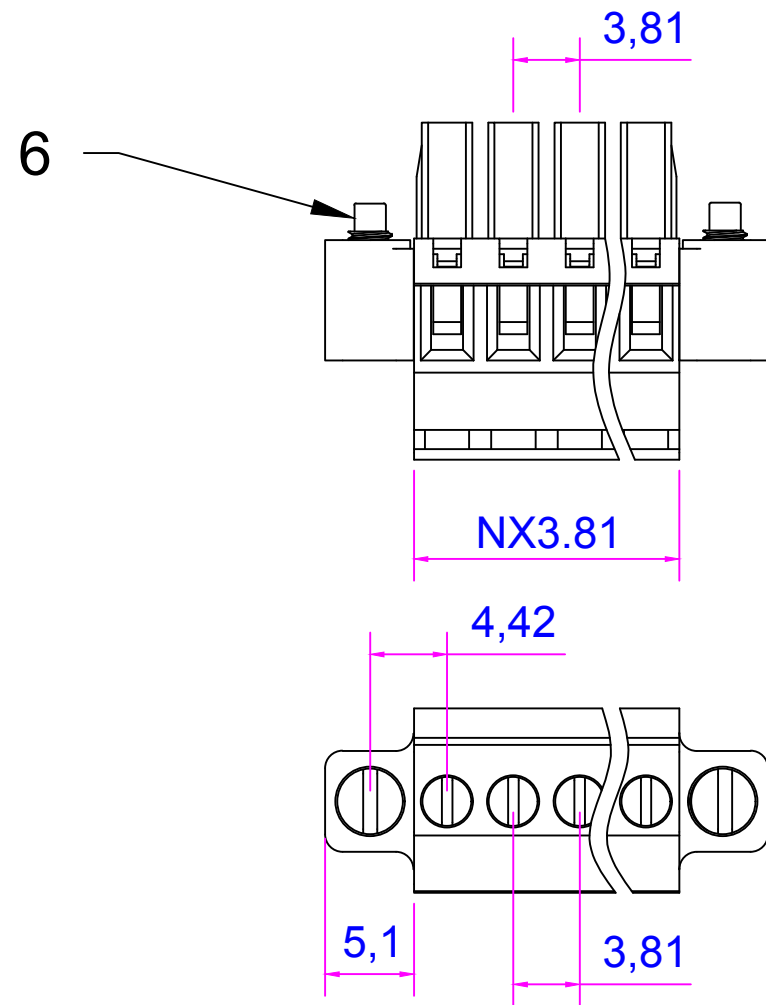


序号/RevNO	名称/Title	文件编号/FileNO
1	15EMGKBM-3.81 塑件1	
2	15EMGKBM-3.81 塑件2	
3	15EMGKBM-3.81 夹子	
4	15EMGKBM-3.81 方扣	
5	15EMGKBM-3.81 一字螺丝1	
6	15EMGKBM-3.81 一字螺丝2	



pitch range in mm		Nominal dimension range in mm						—
	over 6	over 10		over 30	over 60	over 100	over 150	∩
to	to 10	to 24	to 30	to 60	to 100	to 150		□
± 0.10	± 0.15	± 0.25	± 0.20	± 0.30	± 0.50	± 0.7	± 1.0	0.05/10

Poles: 2P/3P-24P
 Pitch: 3.81mm
 Voltage Rating: 300V
 Current Rating: 8A
 Wire range: 28-12AWG
 Housing: PA66(UL 94V-0)
 Wire guard: Phosphor bronze, Ni plated
 Pin header: Brass, Tin Plated
 Screw: M2, Steel(Q235), Zinc Plated
 Torque: 0.2N.m

设计/Designed by.	绘图/Drawing by.	审核/Checked by.	批准/Approved by.	未注公差 General Tolerance	
					x° ± 2°
图名/Title	文件编号/FileNO	慈溪市美感电子接插件厂 Cixi Meigan Electric Appliance Socket Factory		.x ± 0.3	.x' ± 1°
15EMGKBM-3.81	页序/Sheet			.xx ± 0.15	.xx' ± 0.5°
备注/Remark	视图/PROJECTION			单位/Units: mm	

序号/RevNO	更改记录/Revision note	签名/Signature	日期/Date
8			
7			
6			
5			
4			
3			
2			
1			