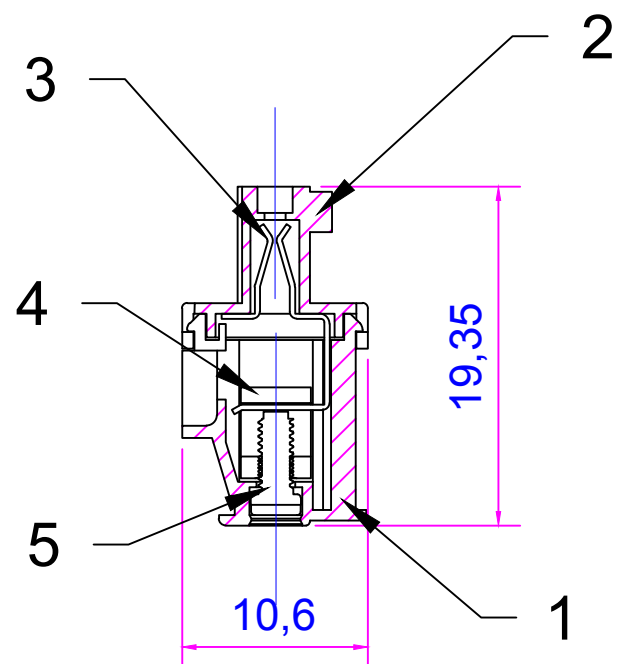
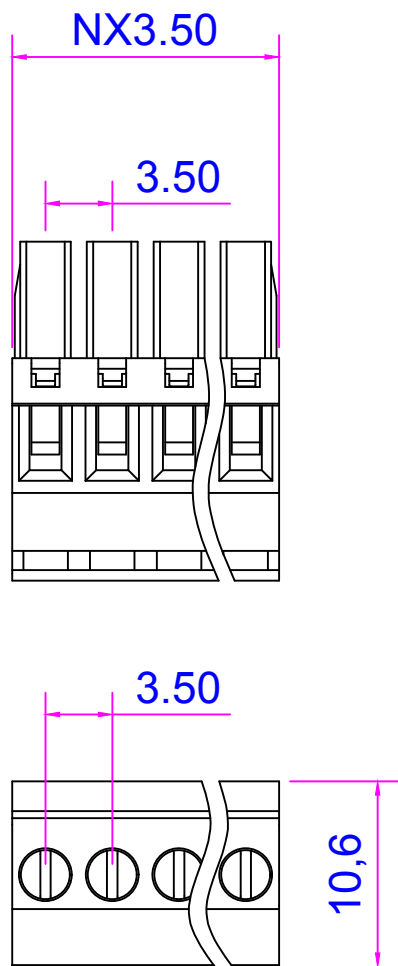
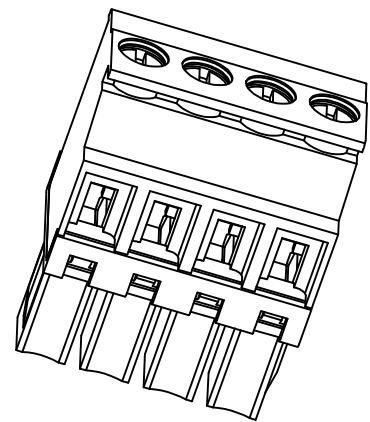


D1RFR006



序号/RevNO	名称/Title	文件编号/FileNO
1	15EMGKB-3.5塑件1	
2	15EMGKB-3.5 塑件2	
3	15EMGKB-3.5夹子	
4	15EMGKB-3.5方扣	
5	15EMGKB-3.5一字螺丝	

pitch range in mm			Nominal dimension range in mm					—	
to	over	over	to	over	over	over	over	 	
6	6 to 10	10 to 24	30	30 to 60	60 to 100	100 to 150	150		
	± 0.10	± 0.15	± 0.25	± 0.20	± 0.30	± 0.50	± 0.7	± 1.0	0.05/10

Poles:2P/3P-24P
 Pitch:3.5mm
 Voltage Rating:300V
 Current Rating:8A
 Wire range:28-16AWG
 Housing:PA66(UL 94V-0)
 Wire guard:Phosphor bronze,Ni plated
 Pin header:Brass,Tin Plated
 Screw:M2,Steel(Q235),Zinc Plated
 Torque:0.2N.m

设计/Designed by.	绘图/Drawing by.	审核/Checked by.	批准/Approved by.	未注公差 General Tolerance	
图名/Title	文件编号/FileNO	慈溪市美感电子接插件厂 Cixi Meigan Electric Appliance Socket Factory		.x ± 0.3	.x° ± 2°
15EMGKB -3.50	页序/Sheet			.xx ± 0.15	.xx° ± 0.5°
备注/Remark	视图/PROJECTION			单位/Units:mm	

序号/RevNO	更改记录/Revision note	签名/Signature	日期/Date
8			
7			
6			
5			
4			
3			
2			
1			