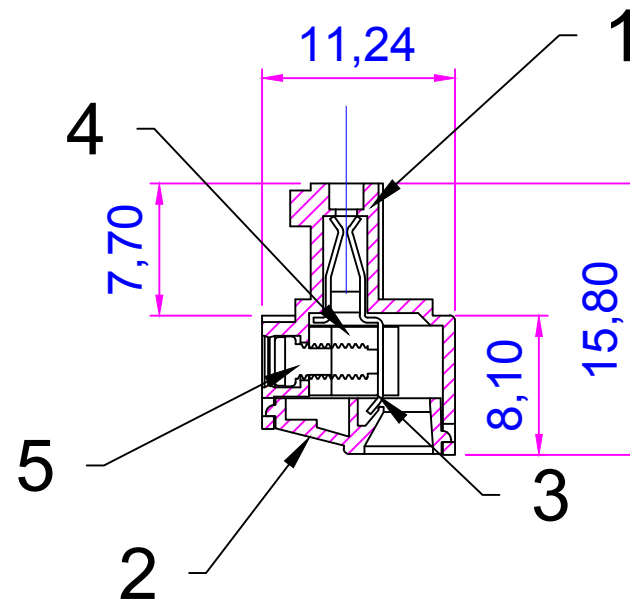
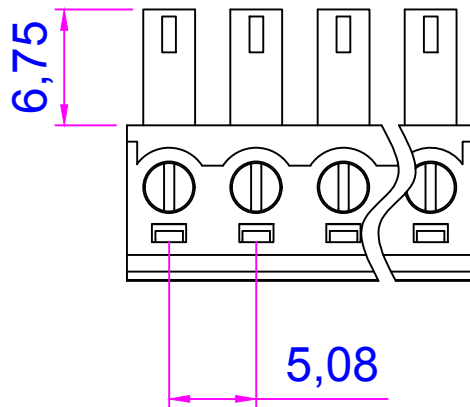
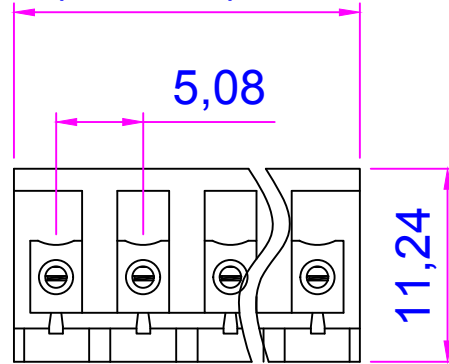


序号/RevNO	名称/Title	文件编号/FileNO
1	15EMGK-5.08 塑件1	
2	15EMGK-5.08 塑件2	
3	15EMGK-5.08夹子	
4	15EMGK-5.08方扣	
5	15EMGK-5.08一字螺丝	

(NX5.08)-0.2



pitch range in mm			Nominal dimension range in mm					—
to	over	over	to	over	over	over	over	— — —
6	6	10	30	30	60	100	150	
± 0.10	± 0.15	± 0.25	± 0.20	± 0.30	± 0.50	± 0.7	± 1.0	0.05/10

Poles:2P/3P-24P  
 Pitch:5.08mm  
 Voltage Rating:300V  
 Current Rating:8A  
 Wire range:28-16AWG  
 Housing:PA66(UL 94V-0)  
 Wire guard:Phosphor bronze,Ni plated  
 Pin header:Brass,Tin Plated  
 Screw:M2,Steel(Q235),Zinc Plated  
 Torque:0.2N.m

设计/Designed by.	绘图/Drawing by.	审核/Checked by.	批准/Approved by.	未注公差 General Tolerance	
				.x ± 0.3	x' ± 2°
图名/Title	文件编号/FileNO	慈溪市美感电子接插件厂 Cixi Meigan Electric Appliance Socket Factory		.x' ± 1°	
15EMGK-5.08	页序/Sheet			.xx ± 0.15	.xx' ± 0.5°
备注/Remark	视图/PROJECTION			单位/Units:mm	

序号/RevNO	更改记录/Revision note	签名/Signature	日期/Date
8			
7			
6			
5			
4			
3			
2			
1			